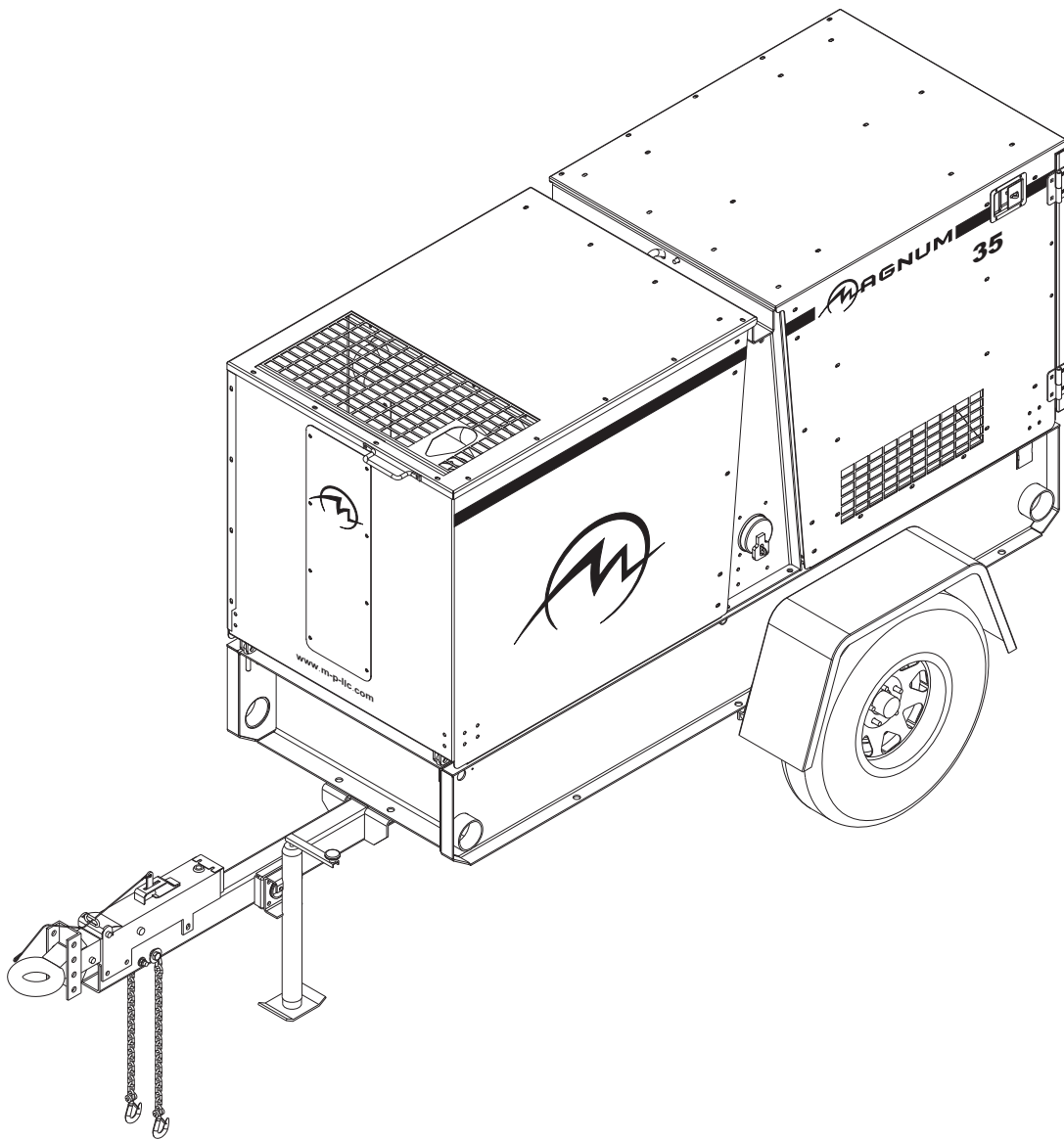




DIESEL GENERATOR MMG35FHD



PARTS MANUAL

INTRODUCTION

Before servicing this machine, make sure the start switch is turned to off "O", the circuit breakers are open (off, "O"), the emergency stop switch is closed (pushed in), and the negative (-) terminal on battery is disconnected. Attach a "DO NOT START" sign to the control panel. This will notify everyone that the unit is being serviced and will reduce the chance of someone inadvertently trying to start the unit. If the unit is connected to a remote start or transfer switch, make sure the remote switch is also off and tagged.

▲ WARNING

Before operating or servicing this equipment, read and understand the Magnum Operating Manual which was included with the unit when shipped from the factory. Failure to do so increases the risk of injury to yourself or others.

MAGNUM POWER PRODUCTS LLC

215 Power Drive • Berlin, WI 54923

U.S.A.

Phone: 920-361-4442

FAX: 920-361-4416

Toll Free: 1-800-926-9768

www.m-p-llc.com

For technical or parts QUESTIONS, please contact Magnum Power Products' Customer Support or Technical Support team toll free at 1-800-926-9768. Please have your serial number available.

To ORDER SERVICE PARTS, please contact the dealer from which you purchased the unit, or call Magnum Power Products to locate a dealer in your area.

Engine Make: _____

Engine Serial Number: _____

Engine Model Number: _____

Generator Make: _____

Generator Model Number: _____

Generator Serial Number: _____

Unit Model Number: _____

Unit Serial Number: _____

▲ WARNING

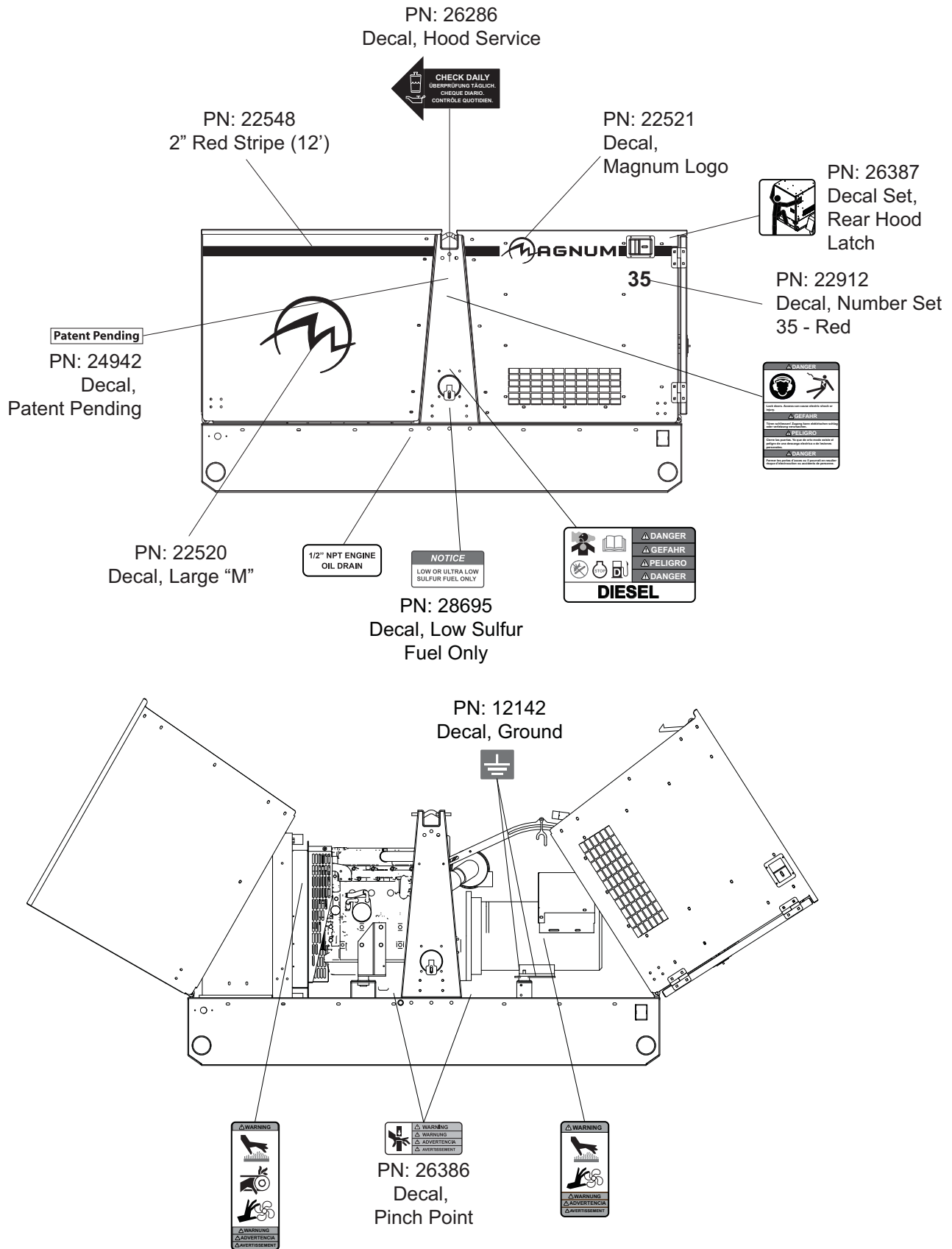
CALIFORNIA PROPOSITION 65 WARNING:

Diesel engine exhaust and some of its constituents are known to the state of California to cause cancer, birth defects and other reproductive harm.

TABLE OF CONTENTS

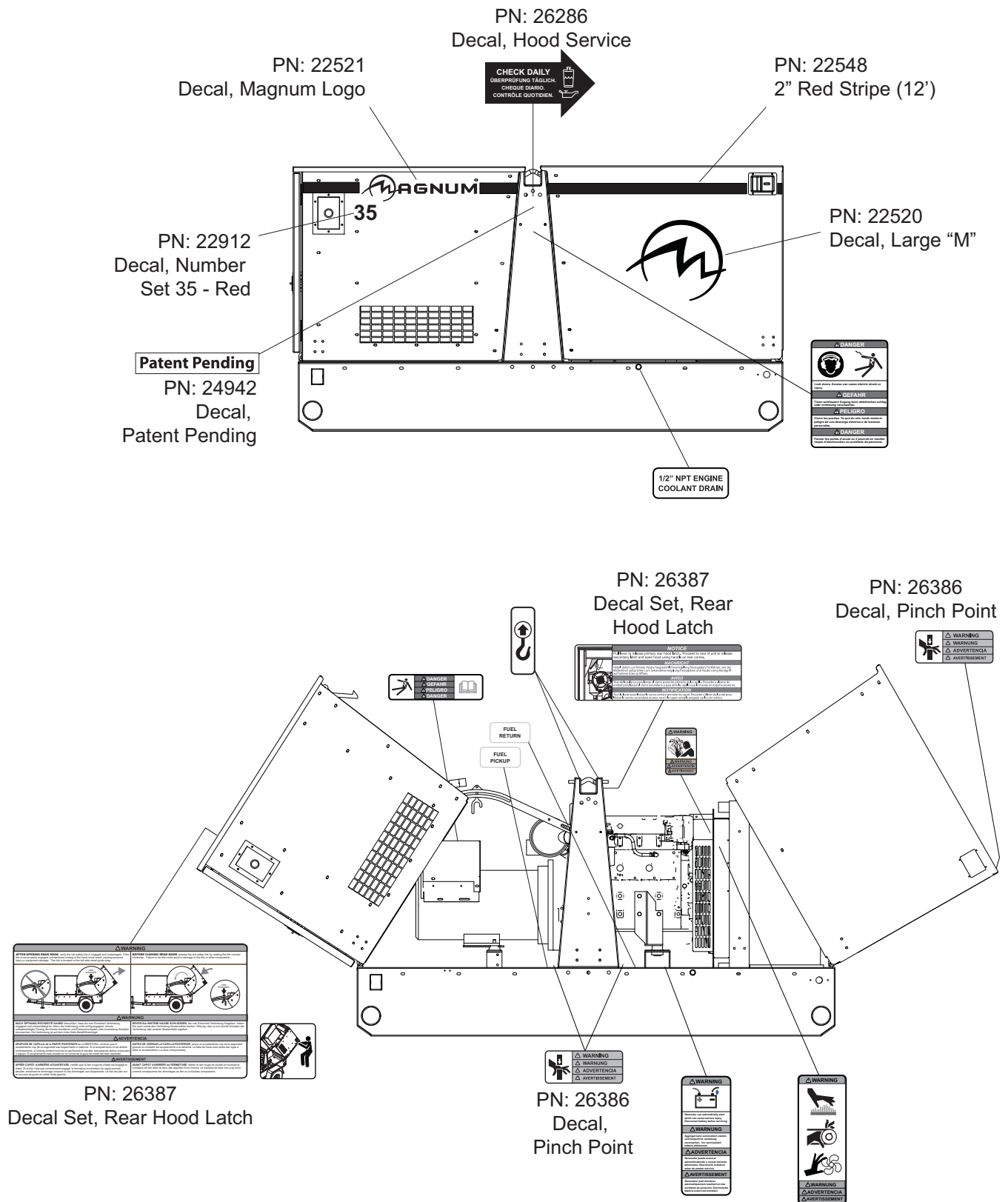
	Page
INTRODUCTION	2
TABLE OF CONTENTS	3
UNIT DECALS	4
ENCLOSURE COMPONENTS	7
HOODS TO SKID ASSEMBLY	8
FRONT HOOD SUPPORT STRUCTURE ASSEMBLY	10
FRONT HOOD ASSEMBLY	12
REAR HOOD SUPPORT STRUCTURE ASSEMBLY	14
REAR HOOD ASSEMBLY	16
CONTROL DOOR ASSEMBLY	18
CONTROL BOX ASSEMBLY	20
CONTROL BOX ASSEMBLY (CONT.)	22
LUG DOOR ASSEMBLY	24
LUG PANEL ASSEMBLY	26
CONTROL PANEL ASSEMBLY	28
RECEPTACLE PANEL ASSEMBLY	30
CAM LOCK PANEL ASSEMBLY	32
CIRCUIT BREAKER ASSEMBLY	34
EMERGENCY STOP SWITCH ASSEMBLY	36
EXHAUST SYSTEM ASSEMBLY	38
COOLING SYSTEM ASSEMBLY	40
ENGINE TO SKID ASSEMBLY	42
ENGINE ASSEMBLY	44
AIR FILTER ASSEMBLY	46
GENERATOR ASSEMBLY	48
FAN CLUTCH ASSEMBLY OPTION	50
SKID ASSEMBLY	52
LIFT STRUCTURE ASSEMBLY	54
FUEL TANK ASSEMBLY	56
TRAILER ASSEMBLY - SINGLE AXLE	58
TRAILER ASSEMBLY - TANDEM AXLE	60
BRAKE LINES - SINGLE AXLE	62
BRAKE LINES - TANDEM AXLE	64
NOTES	66

UNIT DECALS



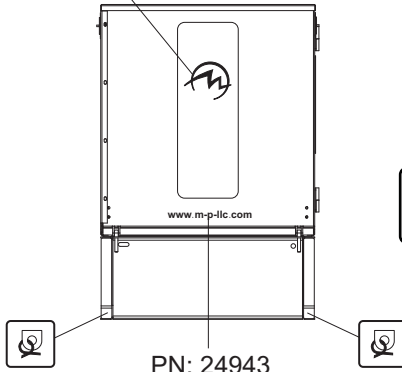
Note: All safety and operating decals are located on decal sheet 23599, unless otherwise noted.

UNIT DECALS (CONT.)



UNIT DECALS (CONT.)

PN: 24944
Decal, "M" Front Panel



PN: 24943
Decal, Magnum Web

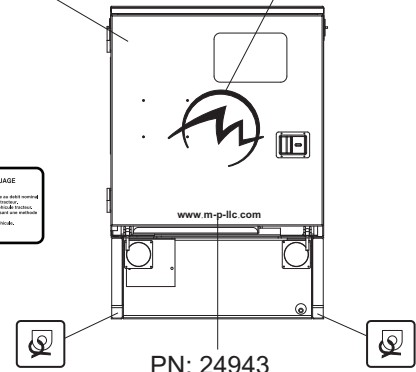
PN: 26387
Decal Set, Rear Hood Latch



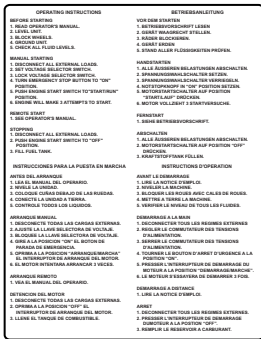
Located on tongue of trailered units.



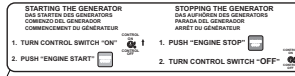
PN: 24945
Decal, "M" Rear Door



PN: 24943
Decal, Magnum Web



PN: 23827
Decal, Controller Switches



PN: 23846
Decal, Controller Start Instructions

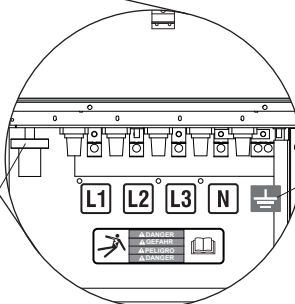
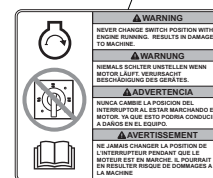
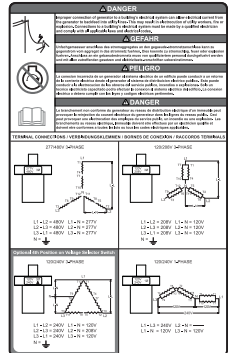
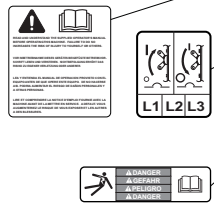
PN: 27733
Decal, Panel Light Switch Option



Located on Manual Holder.



PN: 22870
Decal, Caution for 480V CSA



PN: 12142
Decal, Ground

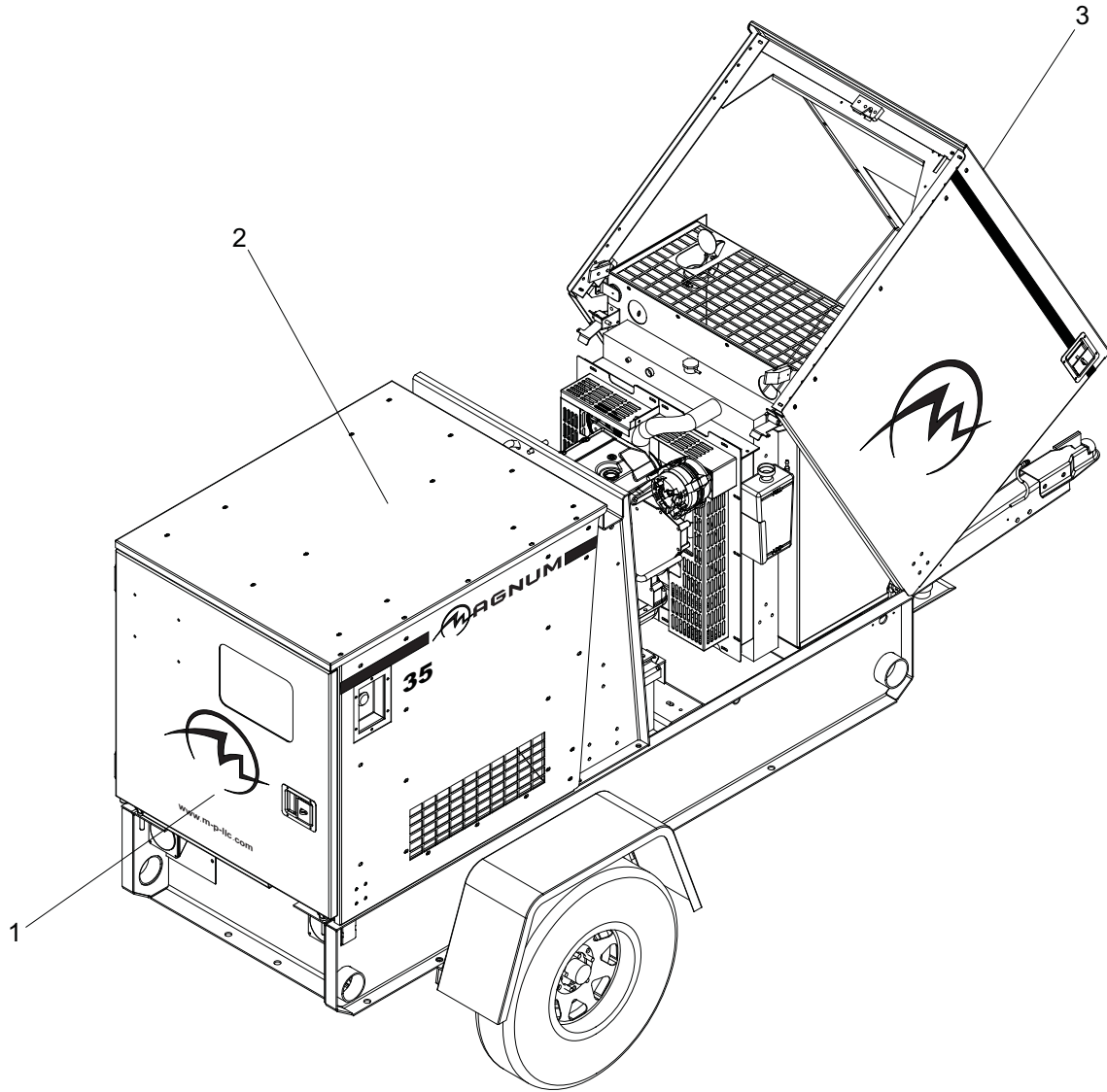
Located behind lug box door.



PN: 30496
Decal, 3 Pos Phase Switch

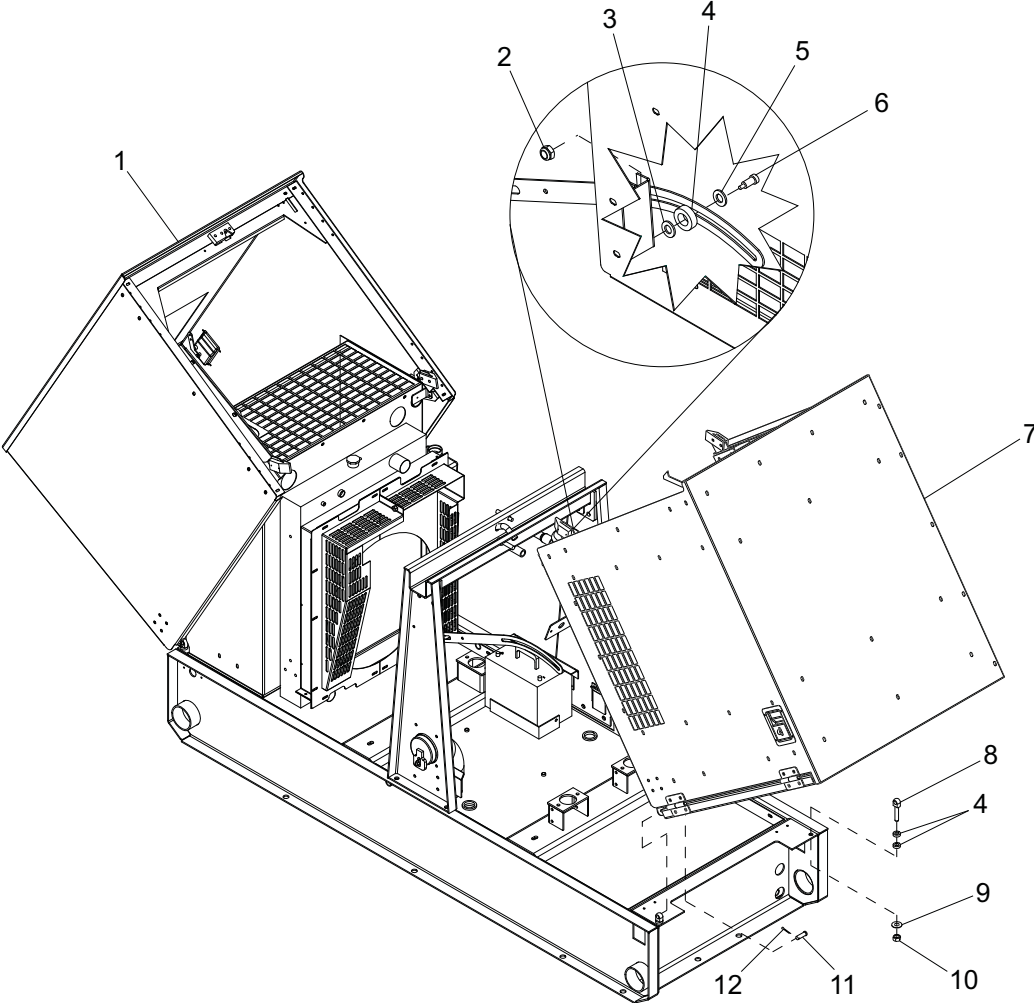
Note: All safety and operating decals are located on decal sheet 23599, unless otherwise noted.

ENCLOSURE COMPONENTS



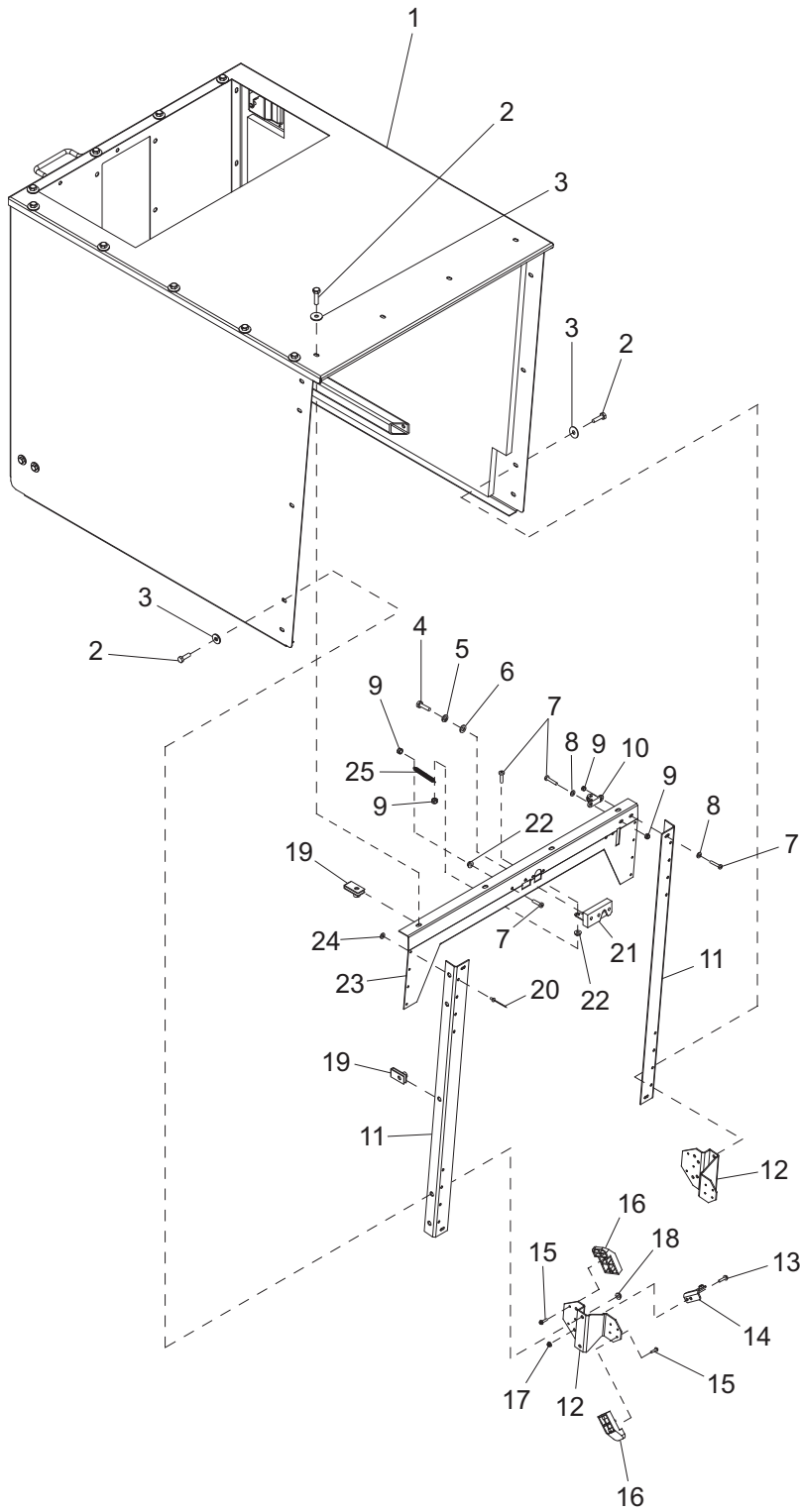
ITEM	PART	QTY	DESCRIPTION	NOTES
1	Page 18	1	Control Door Assembly	
2	Page 16	1	Rear Hood Assembly	
3	Page 12	1	Front Hood Assembly	

HOODS TO SKID ASSEMBLY



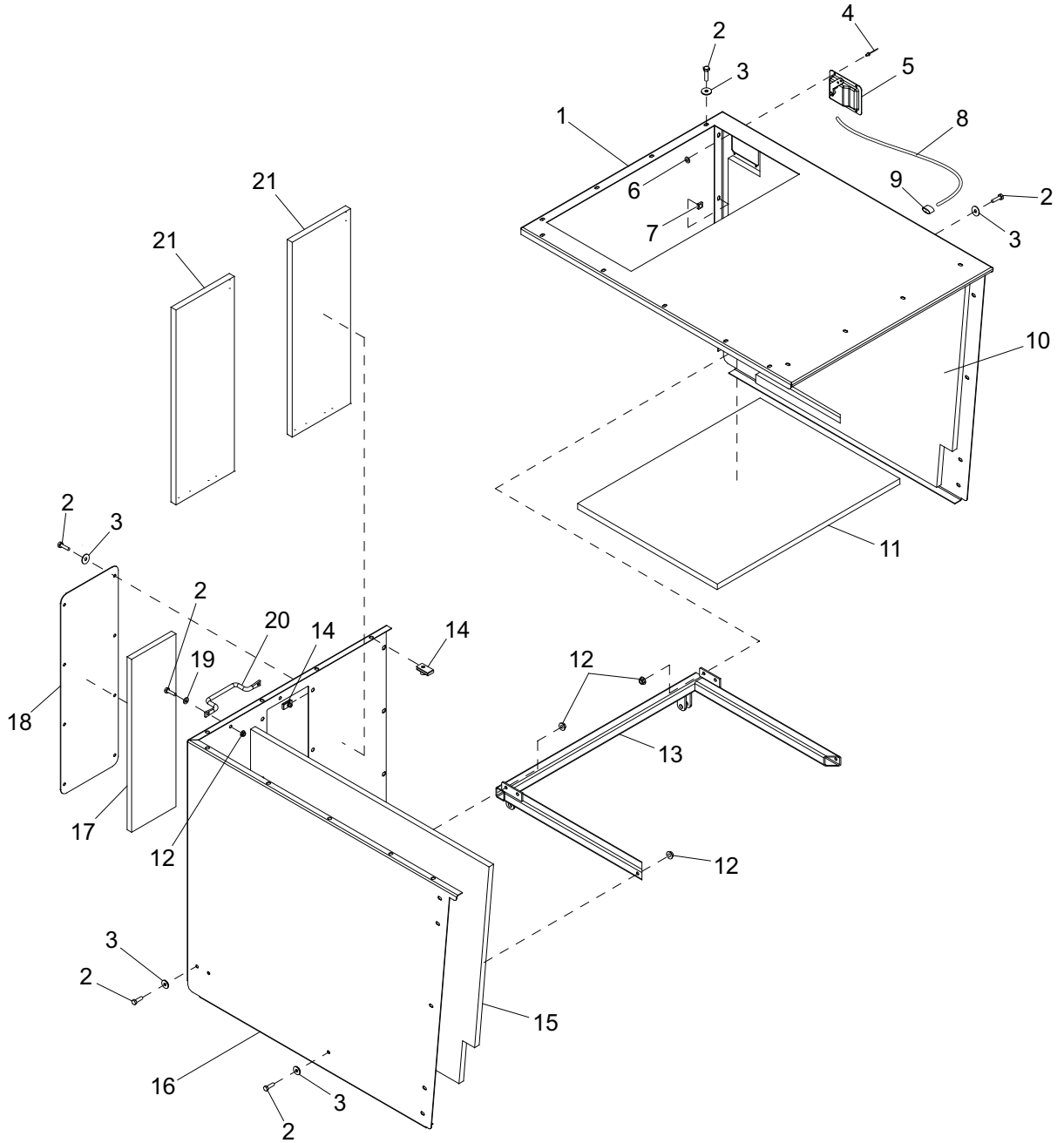
ITEM	PART	QTY	DESCRIPTION	NOTES
1	Page 12	1	Assembly, front hood	
2	60784	2	Nut, .312-18 hx Nylock SS	
3	60696	2	Washer, flat .250 SS	
4	24748B	10	Spacer, rod end	
5	60698	2	Washer, flat .375 SS	
6	61126	1	Screw, .375x.750 shoulder	Left
	61062	1	Screw, .375x.750 shoulder	Right
7	Page 16	1	Assembly, rear hood	
8	60989	4	Bolt, .500-13 x 3.125 rod end	
9	60702	4	Washer, split lock .500 SS	
10	60681	4	Nut, .500-13 hx SS	
11	60745	4	Pin, clevis	
12	15380	4	Pin, cotter	

FRONT HOOD SUPPORT STRUCTURE ASSEMBLY



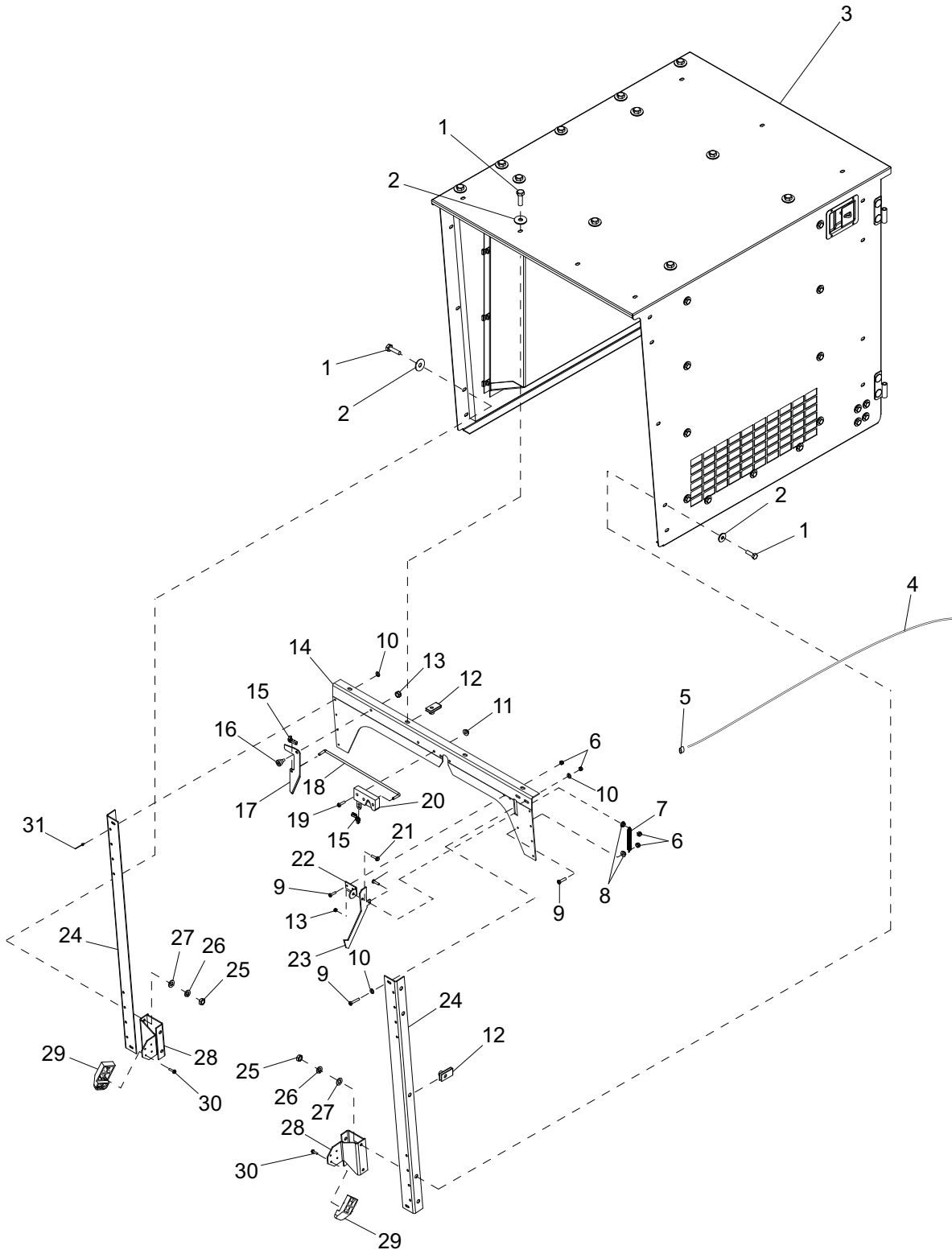
ITEM	PART	QTY	DESCRIPTION	NOTES
1	Page 12	1	Assembly, front hood	
2	60507	41	Screw, .312-18x1.000 std hex SS	
3	60452	39	Washer, flat - bond. rubber SS	
4	60393	3	Screw, .250-20x1.000 std hex	
5	60286	3	Washer, split lock .250	
6	60243	3	Washer, flat .250	
7	60062	4	Screw, 10-32x.750 pan phil	
8	60269	2	Washer, flat #8	
9	60061	4	Nut, 10-32 hx Nylock	
10	24441	1	Pulley, cable - .750"	
11	24218B	2	Bracket, side sealing	
12	24538B	2	Weldment, front align. brckt	
13	60479	4	Screw, .250-20x1.000 hx ser flg	
14	24539ZC	2	Bracket, front hood stop	
15	60426	8	Screw, 8-18X.750 T/S	
16	30249	4	Shoe, hood guide - molded	
17	60161	4	Nut, .250-20 hx ser flg	
18	60095	10	Nut, .312-18 hx ser flg	
19	60505	27	Nut, .312-18 U-clip	
20	60231	8	Rivet, .188 dia	
21	26287	1	Latch, remote right	
22	61045	2	Nut, 10-32 hx ser flg	
23	24219B	1	Bracket, top sealing	
24	60237	12	Washer, flat SAE #10	
25	26162	1	Spring, .250x1.93 rear hood	

FRONT HOOD ASSEMBLY



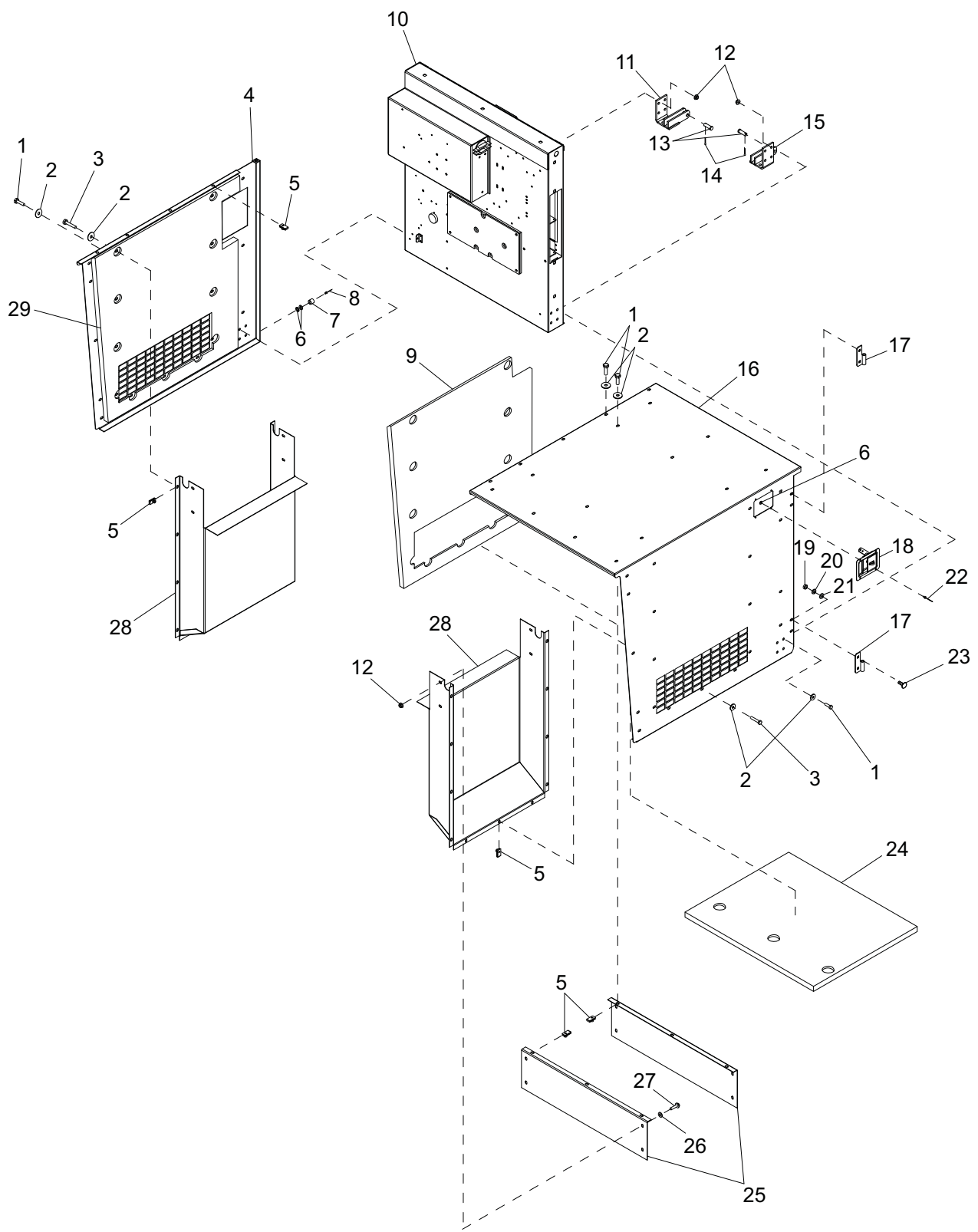
ITEM	PART	QTY	DESCRIPTION	NOTES
1	24206W	1	Panel, front upper hood	
2	60507	23	Screw, .312-18x1.000 std hex SS	
3	60452	23	Washer, flat - bond. rubber SS	
4	60268	4	Rivet, .188 dia SS	
5	24676	1	Latch, paddle	
6	60237	4	Washer, flat SAE #10	
7	15425	4	Nut, .312-18 cage	
8	24677	1	Cable, remote latch - 56"	
9	24678	1	Crimp, cable	
10	26200	1	Foam, front right panel	
11	26203	1	Foam, front top panel	
12	60095	8	Nut, .312-18 hx ser fig	
13	26280B	1	Weldment, front hood hinge	
14	60505	17	Nut, .312-18 U-clip	
15	26201	1	Foam, front left panel	
16	24207W	1	Panel, front side hood	
17	24962	1	Foam, front cutout	
18	24828W	1	Panel, actuator hole	
19	60340	2	Washer, flat .312 SS	
20	26288	1	Handle, front hood access	
21	30163	2	Foam, front panel	
--	50354	19 ft.	Seal, rubber - bubble type	(not shown)
--	24208	--	Assembly, front hood	Items 1 - 25

REAR HOOD SUPPORT STRUCTURE ASSEMBLY



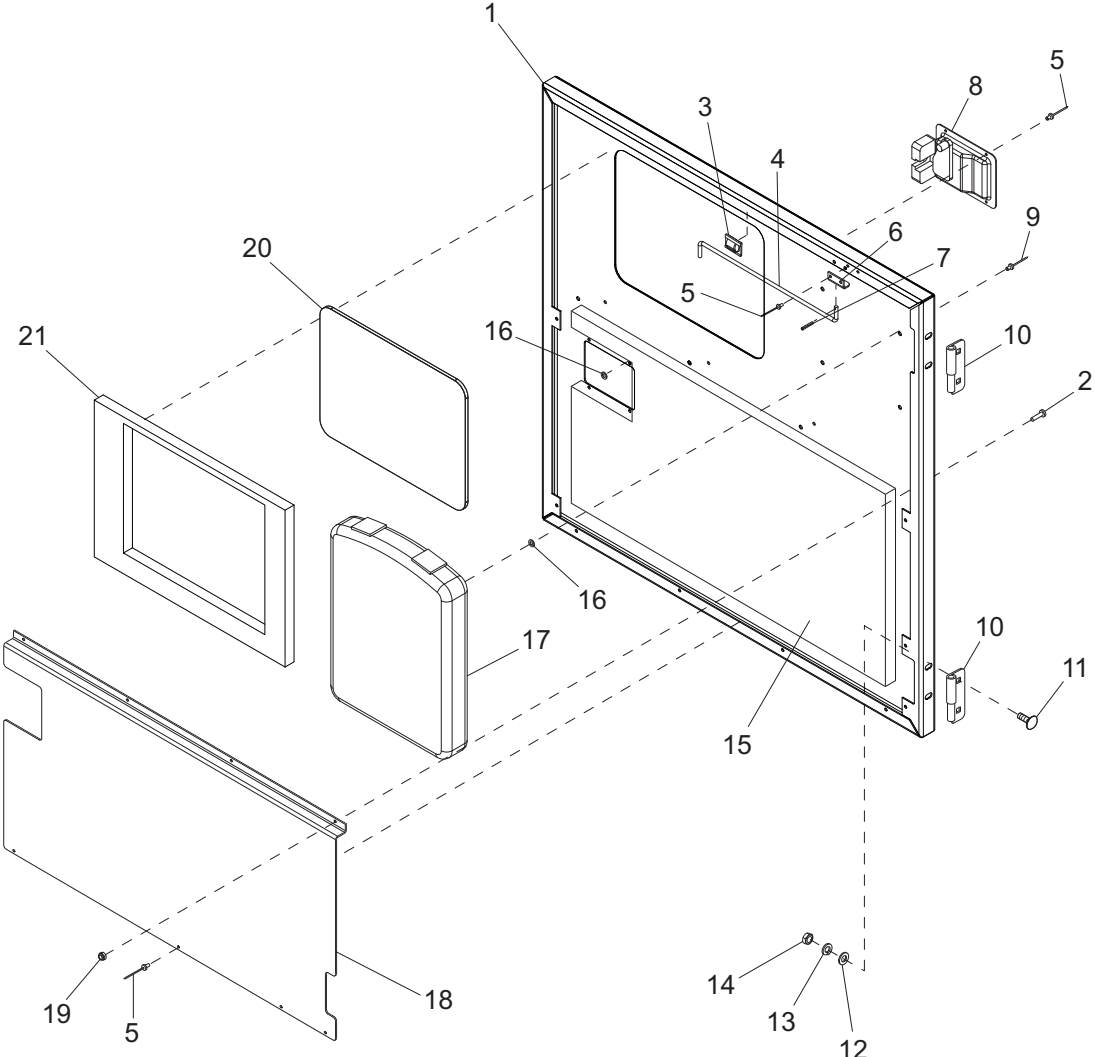
ITEM	PART	QTY	DESCRIPTION	NOTES
1	60507	14	Screw, .312-18x1.000 std hex SS	
2	60452	14	Washer, flat - bond. rubber SS	
3	Page 16	1	Assembly, rear hood	
4	24677	1	Cable, remote latch - 56"	
5	24678	1	Crimp, cable	
6	60061	4	Nut, 10-32 hx Nylock	
7	26162	1	Spring, rear hood	
8	61045	2	Nut, 10-32 hx ser flg	
9	60062	5	Screw, 10-32x.750 pan head phil	
10	60237	10	Washer, flat SAE #10	
11	60161	3	Nut, .250-20 ser flg G5	
12	60505	10	Nut, .312-18 U-clip	
13	60144	2	Nut, .250-20 Nylock G5	
14	26978B	1	Bracket, top sealing - rear	
15	23717	2	Clip, rod locking - "L" on flat	
16	61138	1	Screw, .312 shoulder	
17	26390R	1	Handle, inside release	
18	26391Z	1	Rod, inside handle	
19	60143	3	Screw, .250-20x2.000 pan phil G5	
20	26385	1	Latch, remote	
21	60391	1	Screw, .250-20x.625 std hex G5	
22	24822B	1	Bracket, prop rod	
23	24850ZC	1	Plate, secondary latch	
24	24218B	2	Bracket, side sealing	
25	60285	2	Nut, .312-18 std hex	
26	60271	2	Washer, split lock .312	
27	60119	2	Washer, flat .312	
28	24450B	2	Weldment, hood locator	
29	30249	2	Shoe, hood guide - molded	
30	60426	4	Screw, 8-18X.750 T/S	
31	60231	8	Rivet, .188 dia	
--	24222	--	Assembly, rear hood	Items 1 - 31

REAR HOOD ASSEMBLY



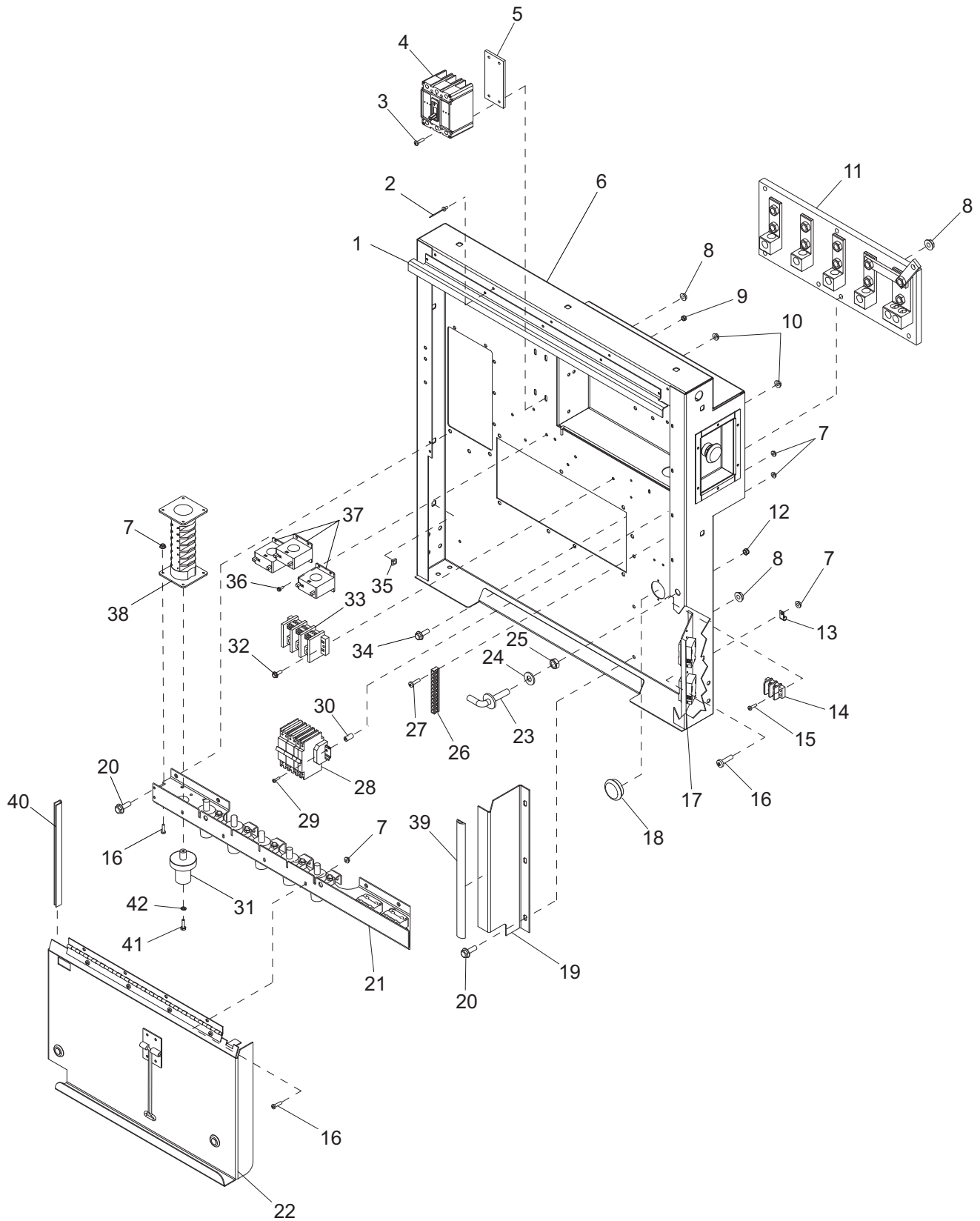
ITEM	PART	QTY	DESCRIPTION	NOTES
1	60507	30	Screw, .312-18x1.000 std hex SS	
2	60452	52	Washer, flat - bond. rubber SS	
3	61052	22	Screw, .312-18x1.500 std hex SS	
4	24221W	1	Panel, rear side hood	
5	60505	42	Nut, .312-18 U-clip	
6	60237	14	Washer, flat SAE #10	
7	15215	1	Rubber bumper	
8	60267	1	Rivet, .125 dia	
9	26205	1	Foam, rear left panel	
10	Page 20	1	Assembly, control box	
11	24216B	1	Weldment, hood hinge - rht	
12	60095	16	Nut, .312-18 hx ser fig	
13	15380	2	Pin, cotter - .125x1.25	
14	60745	2	Pin, clevis- .500 dia X 1.50	
15	24217B	1	Weldment, hood hinge - lft	
16	24220W	1	Panel, rear upper hood	
17	18462	2	Hinge, left (female)	
18	24676	1	Latch, paddle	
19	60285	4	Nut, .312 - 18 hx	
20	60271	4	Washer, split lock .312	
21	60243	4	Washer, flat .250	
22	60268	4	Rivet, .188 dia	
23	61066	4	Screw, .312-18x1.000 carriage SS	
24	26206	1	Foam, rear top panel	
25	24262B	2	Panel, rear duct back	
26	60119	12	Washer, flat .312	
27	40814	8	Screw, .312-18X.875 std hex	
28	24261W	2	Panel, rear duct lower	
29	26204	1	Foam, rear right panel	
--	50354	15.83 ft.	Seal, rubber - bubble type	(not shown)

CONTROL DOOR ASSEMBLY



ITEM	PART	QTY	DESCRIPTION	NOTES
1	21448W	1	Door, rear control	
2	60850	12	Screw, 10-24x.750 pan phil	
3	61055	1	Clip, rod hold	
4	21370Z	1	Rod, door prop	
5	60268	10	Rivet, .188 dia	
6	20916Z	1	Bracket, prop rod	
7	60048	1	Pin, roll .125 X .625	
8	23641	1	Latch, rotating element	With handle
9	60231	4	Rivet, .188 dia	
10	18459	2	Hinge, left (male)	
11	61066	4	Screw, .312-18x1.000 carriage SS	
12	60340	4	Washer, flat .312 SS	
13	60701	4	Washer, split lock .312 SS	
14	60515	4	Nut, .312 - 18 hx SS	
15	26285	1	Foam, control door lower	
16	60237	12	Washer, flat SAE #10	
17	24540	1	Holder, manual (plastic)	
18	26276W	1	Panel, door stiffener	
19	60457	12	Nut, 10-24 Nylock	
20	21477	1	Window, control door	
21	21577	1	Foam, control door - FH	
--	50192	4.6 ft.	Tape, double sided, type VHB	Attaches window (not shown)

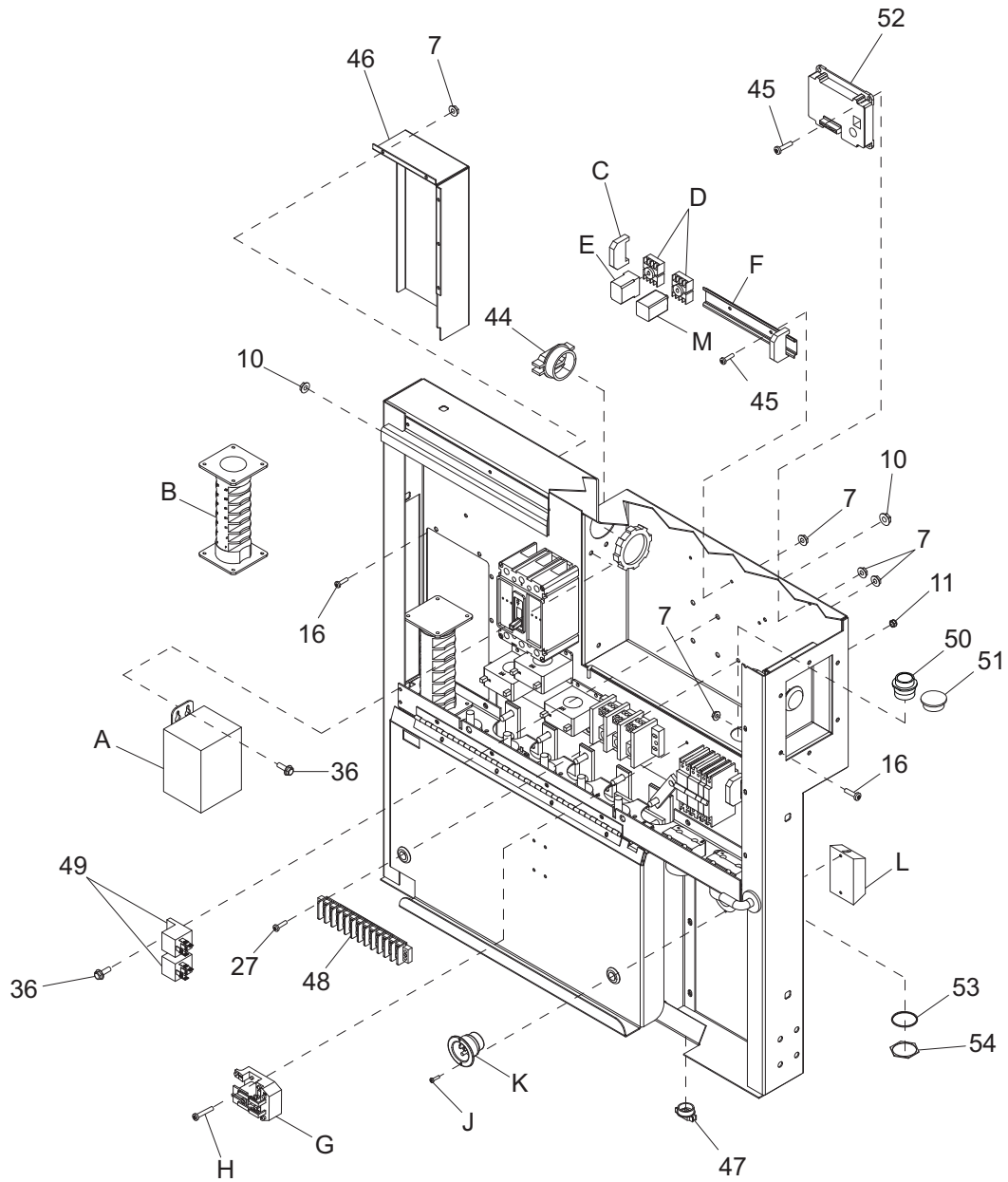
CONTROL BOX ASSEMBLY



ITEM	PART	QTY	DESCRIPTION	NOTES
1	24320B	1	Bracket, door seal	
2	60231	5	Rivet, .188 dia	
3	60377	4	Screw, 8-32x1.750 pan phil	
4	65446	1	Breaker, 125A	
5	24373B	1	Plate, breaker mounting	
6	20691B	1	Weldment, control box	
7	61045	26	Nut, 10-32 hx ser flg	
8	60095	10	Nut, .312-18 hx ser flg	
9	60270	4	Nut, 8-32 Nylock	
10	60161	14	Nut, .250-20 hx ser flg	
11	Page 26	3	Assembly, lug panel	
12	60290	2	Nut, 6-32 hx Nylock SS	
13	60375	1	Clamp, tubing - .312 lt duty	
14	18890	1	Block, terminal - 2 pos	
15	60046	2	Screw, 6-32x.750 pan phil	
16	60398	28	Screw, 10-32x.500 pan phil SS	
17	Page 30	1	Assembly, receptacle panel	
18	61037	1	Plug, Heyco 1.75 hole	
19	24317B	1	Panel, lug box side	
20	60114	7	Screw, M8-1.25 sflg hex	
21	Page 32	1	Assembly, cam lock panel	
22	Page 24	1	Assembly, lug door	
23	24043ZC	1	Striker, short pin	
24	24196	1	Washer, striker pin	
25	24046	1	Striker nut, .438	
26	14204	1	Kit, ground bar	
27	60062	4	Screw, 10-32x.750 pan phil	
28	Page 34	1	Assembly, breaker	
29	60459	2	Screw, 10-32x.750 pan phil	
30	24925B	2	Spacer, 1" long	
31	26214	1	Handle, phase switch	
32	60479	2	Screw, .250-20x1.000 hx ser flg	
33	65356	1	Block, terminal - 3 pole	
34	60516	3	Screw, .312-18x1.250 hx ser flg	
35	15425	10	Nut, .312-18 cage	
36	60175	12	Screw, .250-20x.500 hx ser flg	
37	65722	3	Transformer, current	
38	65700	1	Switch, phase - 63A, 3-pos	
39	50187	1 ft.	Seal, door	
40	19351	1 ft.	Seal, gen box	
41	61079	1	Screw, M3-0.50X12 soc hex	
42	60058	1	Washer, #6 split lock	

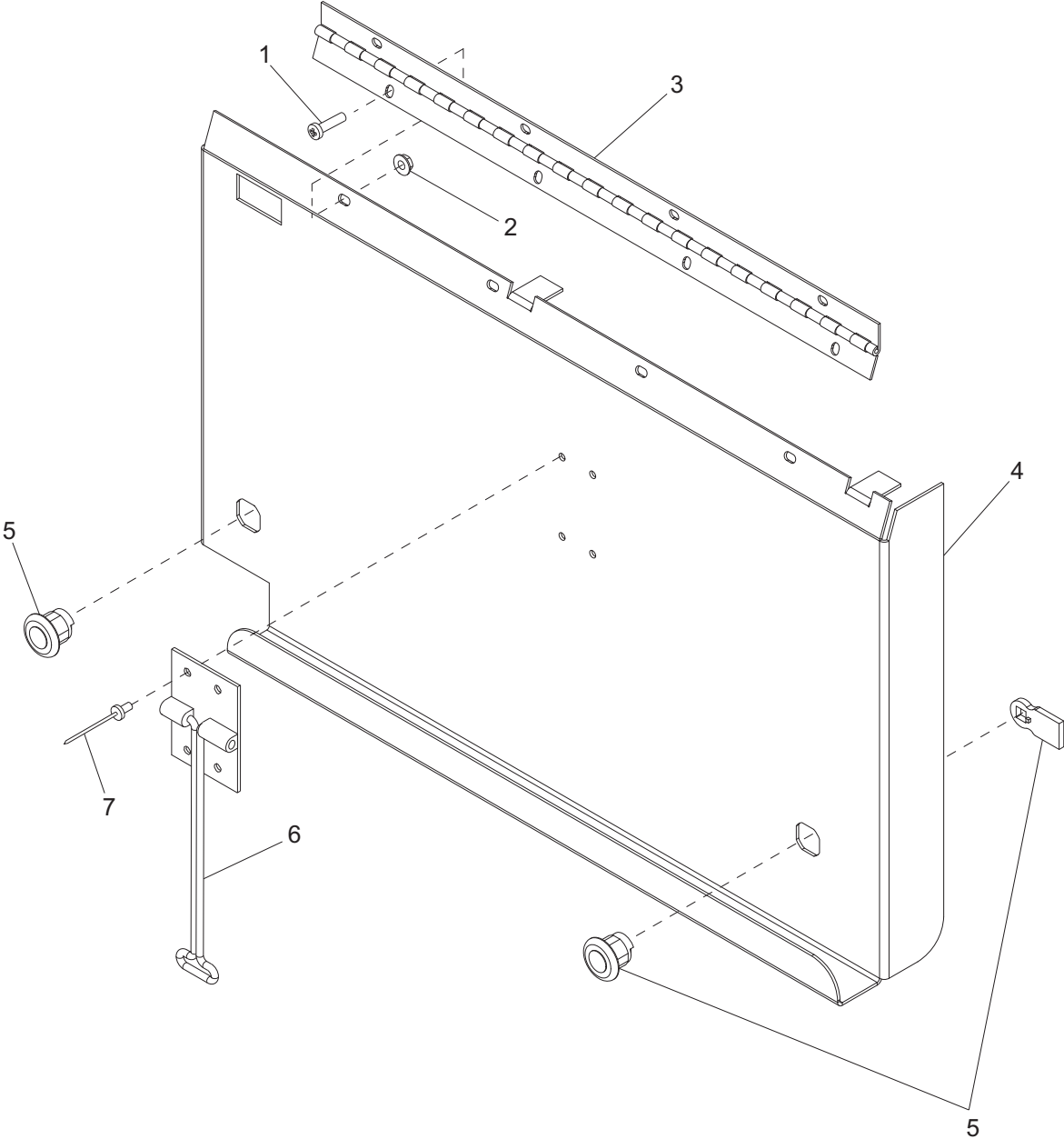
Continued on next page

CONTROL BOX ASSEMBLY (CONT.)



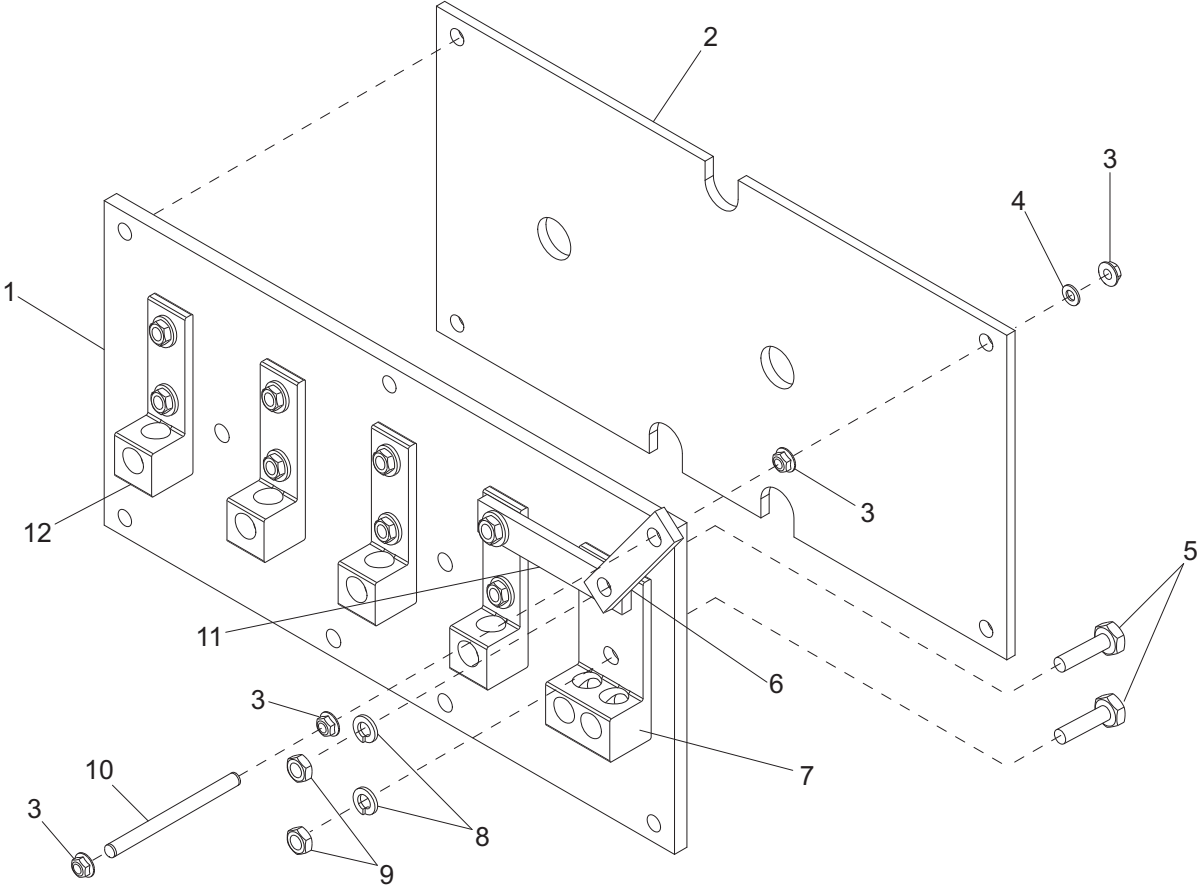
ITEM	PART	QTY	DESCRIPTION	NOTES
44	65788	1	Strain relief - 2" Romex	
45	60648	4	Screw, 10-32x.500 thread forming	
46	21405B	1	Cover, phase switch wire	
47	14219	1	Strain relief - .75 Romex	
48	14139	1	Block, terminal - 12 pos.	
49	66455	2	Relay, ignition solenoid	
50	65309	1	Connector, 21 pin, Deutsch	
51	66044	1	Plug, Deutsch hole	
52	22735	1	Board, governor controller	
53	65417	1	Washer, lock, 21-pin Deutsch	
54	65416	1	Nut, Deutsch 21- pin plug	
A	21487	1	Transformer, 1-phase	Option: buck transformer
B	65666	1	Switch, phase - 80A 4-pos	Option: 4 position switch
C	65674	2	Stop, 35MM din rail end	Option: buck transformer
D	65644	2	Base, relay - 8 pos.	Option: buck transformer & 4 position switch
E	66340	1	Relay, voltage sensing	Option: buck transformer
F	65673	1	Rail, din - 35MM X 9.00"	Option: buck transformer
G	65461	1	Relay, 30A DPDT 120VAC power	Option: buck transformer
H	60396	2	Screw, 10-32 pan phil	Option: buck transformer
J	65326	1	Charger, battery - 2A, 3 stage, 1 output	Option: battery charger
K	65285	1	Receptacle, 120V/15A inlet	Option: battery charger
L	60480	2	Screw, 10-16 pan phil	Option: battery charger
M	65659	1	Relay, DPDT, 12VDC 8 pos	Option: 4 position switch
--	65049	1	Relay, 12V 30/40A NO with diode	Option: clutch fan (not shown)

LUG DOOR ASSEMBLY



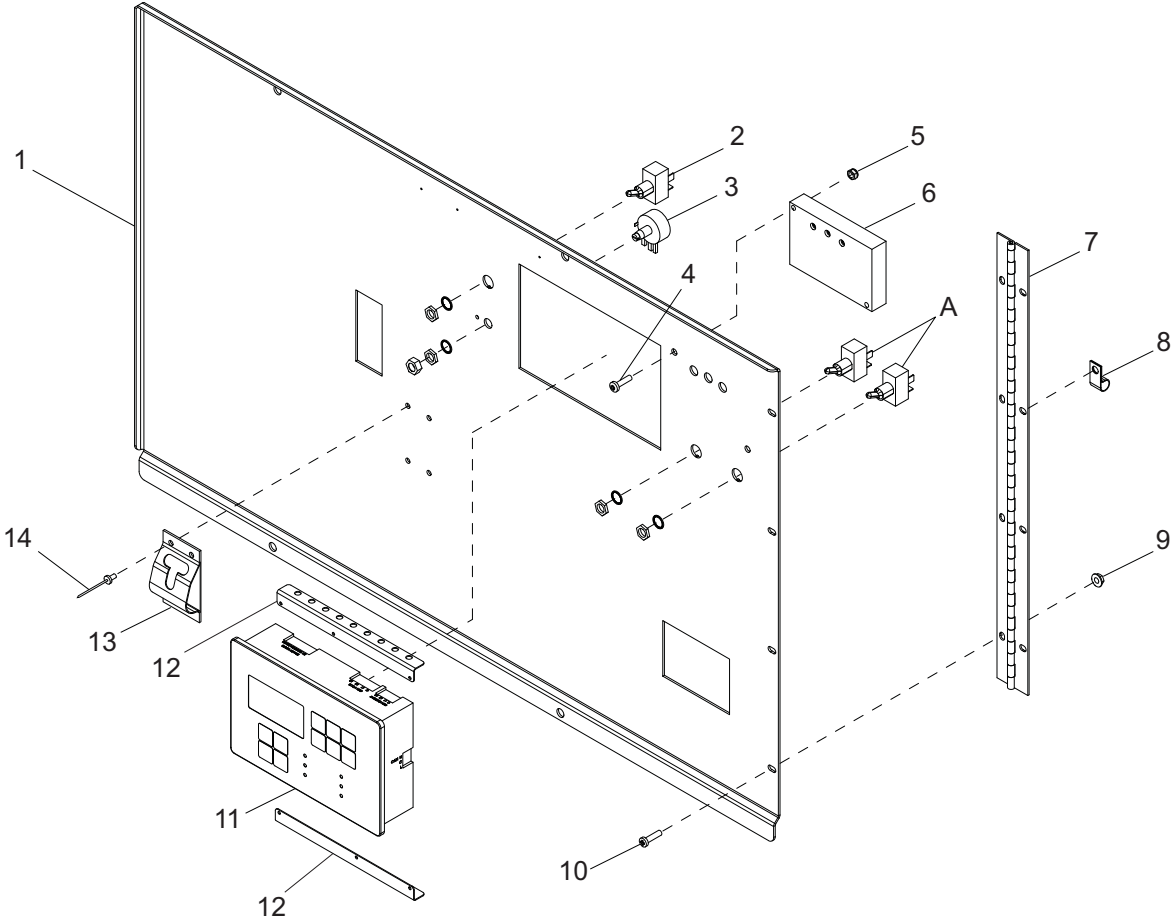
ITEM	PART	QTY	DESCRIPTION	NOTES
1	60398	4	Screw, 10-32x.500 pan phil SS	
2	61045	4	Nut, 10-32 hx ser flg	
3	24583	1	Hinge, piano	
4	24293B	1	Panel, lug door	
5	20762	2	Lock, door - 1/4 turn	
6	60652	1	Latch, door	
7	60268	4	Rivet, .188 dia	
--	24322	--	Assembly, lug door	Items 1 - 5

LUG PANEL ASSEMBLY



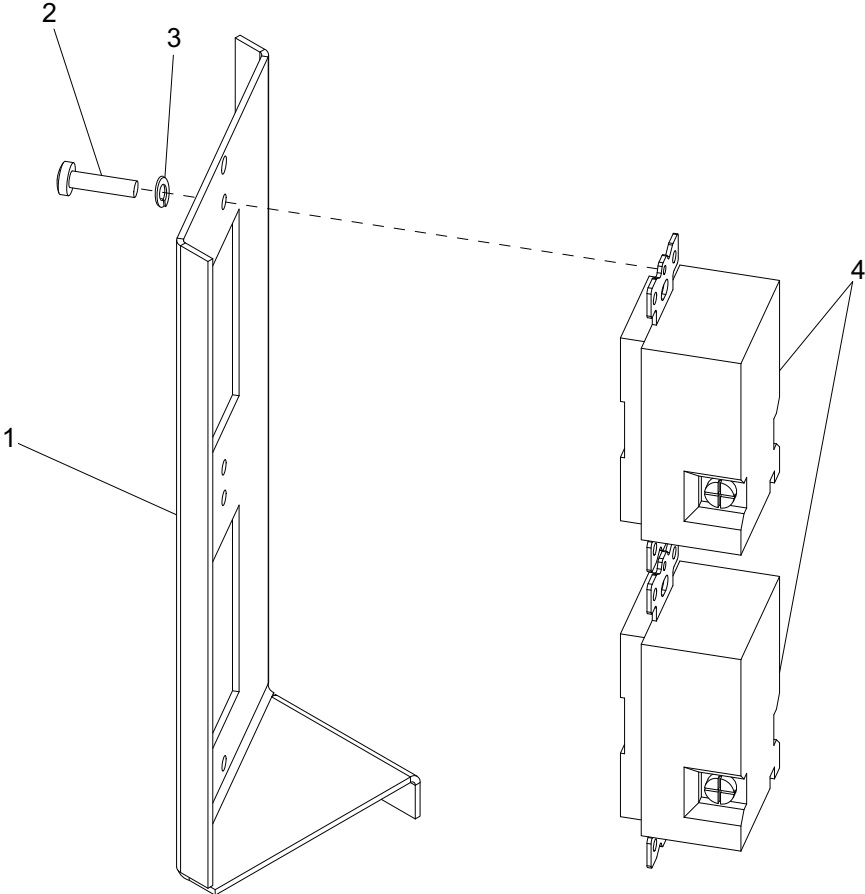
ITEM	PART	QTY	DESCRIPTION	NOTES
1	24278	1	Panel, glastic lug	
2	24319	1	Plate, glastic cover	
3	60020	4	Nut, M8-1.25 ser flg lock	
4	60243	1	Washer, .250 flat	
5	61005	10	Screw, .375-16x1.75 flat hd	
6	24820	1	Bus, ground to board	
7	65692	1	Lug, terminal dual	
8	60206	10	Washer, split lock .375	
9	60140	10	Nut, .375-16 std hex	
10	18992	1	Stud, ground	
11	24819	1	Bus, N to ground	
12	65677	4	Lug terminal single	
--	24279	--	Assembly, lug panel	Items 1 - 12

CONTROL PANEL ASSEMBLY



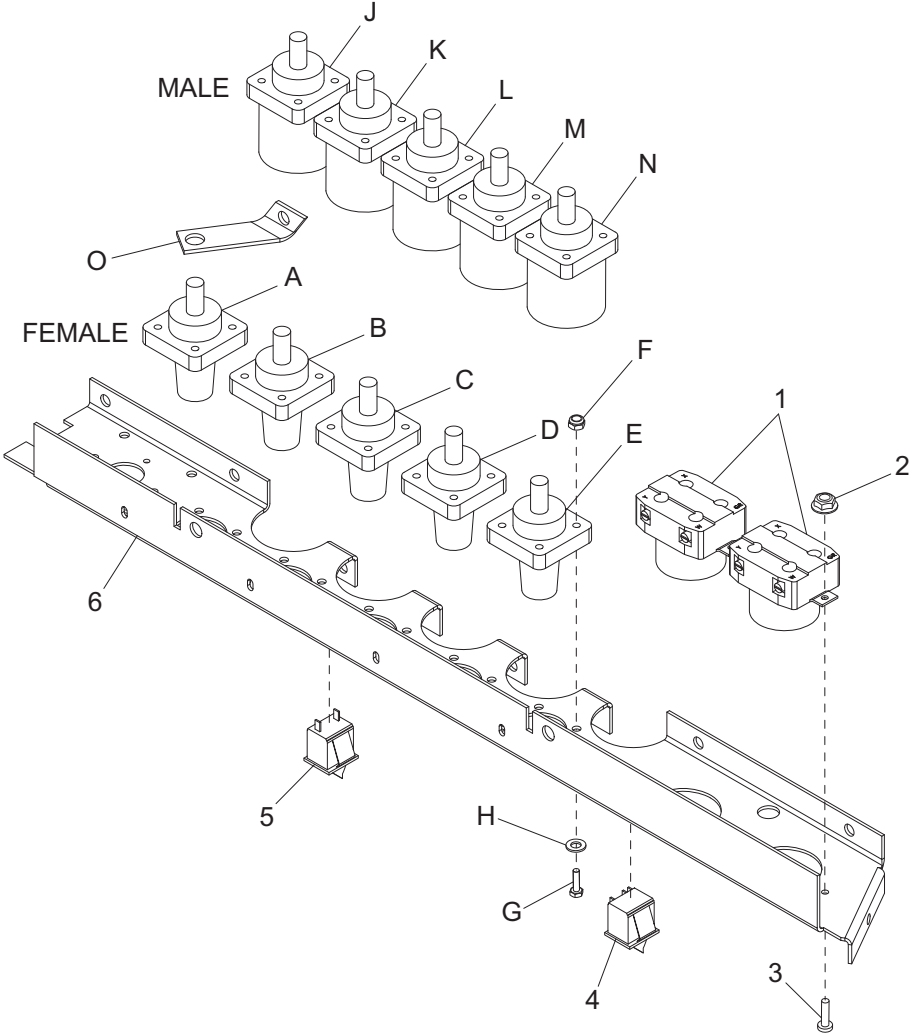
ITEM	PART	QTY	DESCRIPTION	NOTES
1	20724W	1	Panel, control	
2	25077	1	Switch, toggle	
3	26229	1	Kit, voltage adj. pot.	
4	60406	2	Screw, 8-32x1.000 pan phil	
5	60270	2	Nut, 8-32 std hex Nylock	
6	18556	1	Regulator, voltage-SE350	
7	18598	1	Hinge, controller panel	
8	60375	1	Clamp, tubing - .312 lt duty	
9	61045	4	Nut, 10-32 hx ser flg	
10	60398	4	Screw, 10-32x.500 pan phil SS	
11	66199	1	Controller, eng/gen	
12	29893	2	Bracket, control board wire guide	
13	60652	1	Latch, door	
14	60268	4	Rivet, .188 dia	
--	18934	1	Guard, potentiometer	Not shown
A	25077	2	Switch, toggle	Option: interior lights

RECEPTACLE PANEL ASSEMBLY



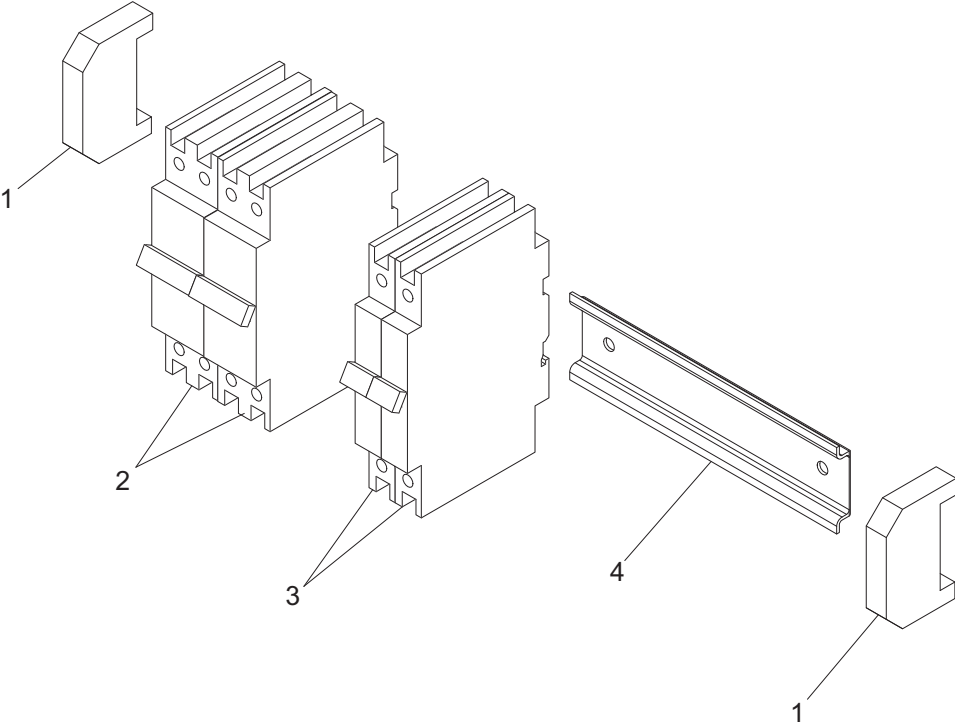
ITEM	PART	QTY	DESCRIPTION	NOTES
1	24287W	1	Panel, 120V outlet	
2	60405	4	Screw, 6-32x.250 pan phil	
3	60058	4	Washer, split lock #6	
4	14130	2	Receptacle, 120V/20A GFI	
--	24288	1	Assembly, receptacle panel	Items 1 - 4

CAM LOCK PANEL ASSEMBLY



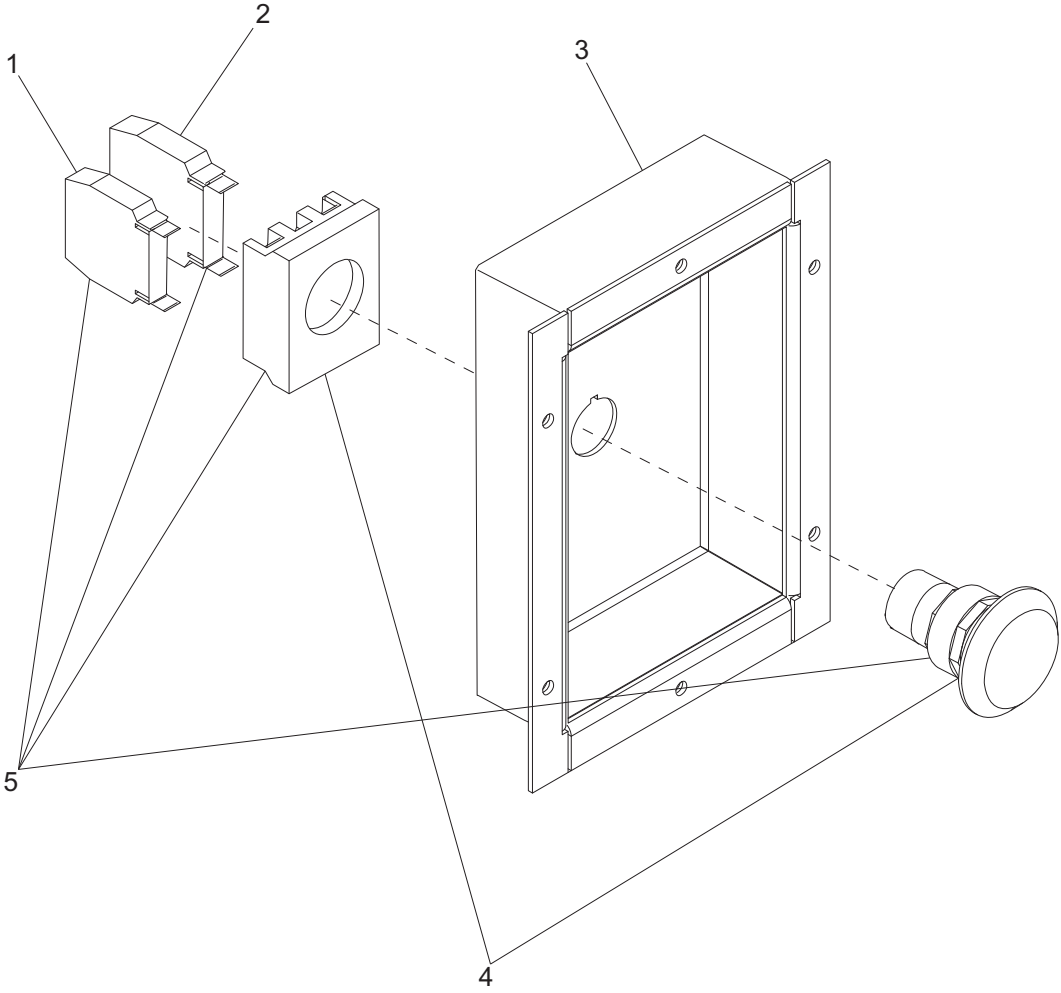
ITEM	PART	QTY	DESCRIPTION	NOTES
1	18089	2	Receptacle, twist lock	120/240V 50A
2	61045	4	Nut, 10-32 hx ser flg	
3	60398	4	Screw, 10-32x.500 pan phil SS	
4	12632	1	Switch, trigger safety	
5	65830	1	Switch, trgr sfty rr trmnl	
6	24264B	1	Panel, lug box 35/55 FH	
--	24289	1	Assembly, cam lock panel	Items 1 - 6
A	65551	1	Conn. cam lock fml - black	Option: cam locks 400A
B	65552	1	Conn. cam lock fml - red	Option: cam locks 400A
C	65553	1	Conn. cam lock fml - blue	Option: cam locks 400A
D	66040	1	Conn. cam lock fml - white	Option: cam locks 400A
E	66041	1	Conn. cam lock fml - green	Option: cam locks 400A
F	60061	20	Nut, 10-32 nylnk G5	Option: cam locks
G	60397	20	Screw, 10-32x1.000 pan phil G2	Option: cam locks
H	60237	20	Washer, #10 flat	Option: cam locks
J	66037	1	Conn. cam lock ml - black	Option: cam locks 400A
K	66038	1	Conn. cam lock ml - red	Option: cam locks 400A
L	66039	1	Conn. cam lock ml - blue	Option: cam locks 400A
M	65554	1	Conn. cam lock ml - white	Option: cam locks 400A
N	65555	1	Conn. cam lock ml - green	Option: cam locks 400A
O	24703	5	Bar, cam lock bus	Option: cam locks

CIRCUIT BREAKER ASSEMBLY



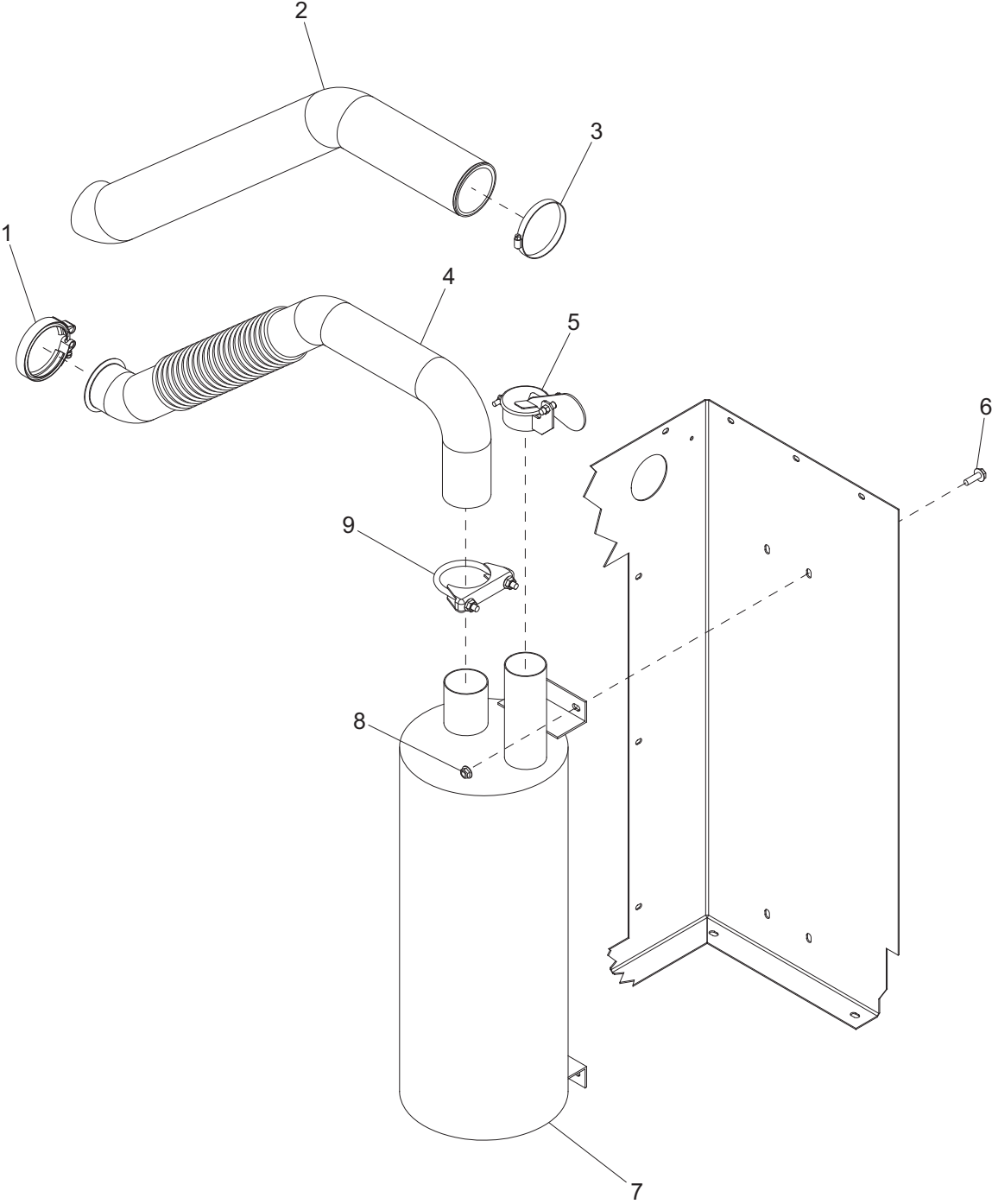
ITEM	PART	QTY	DESCRIPTION	NOTES
1	65754	2	Stop, 35mm din rail end	
2	65739	2	Breaker, 50A, 240V, 2-pole	
3	65738	2	Breaker, 20A, 240V, 1-pole	
4	65753	1	Rail, din - 35mm X 5.00"	
--	65752	1	Assembly, breaker	Items 1 - 4

EMERGENCY STOP SWITCH ASSEMBLY



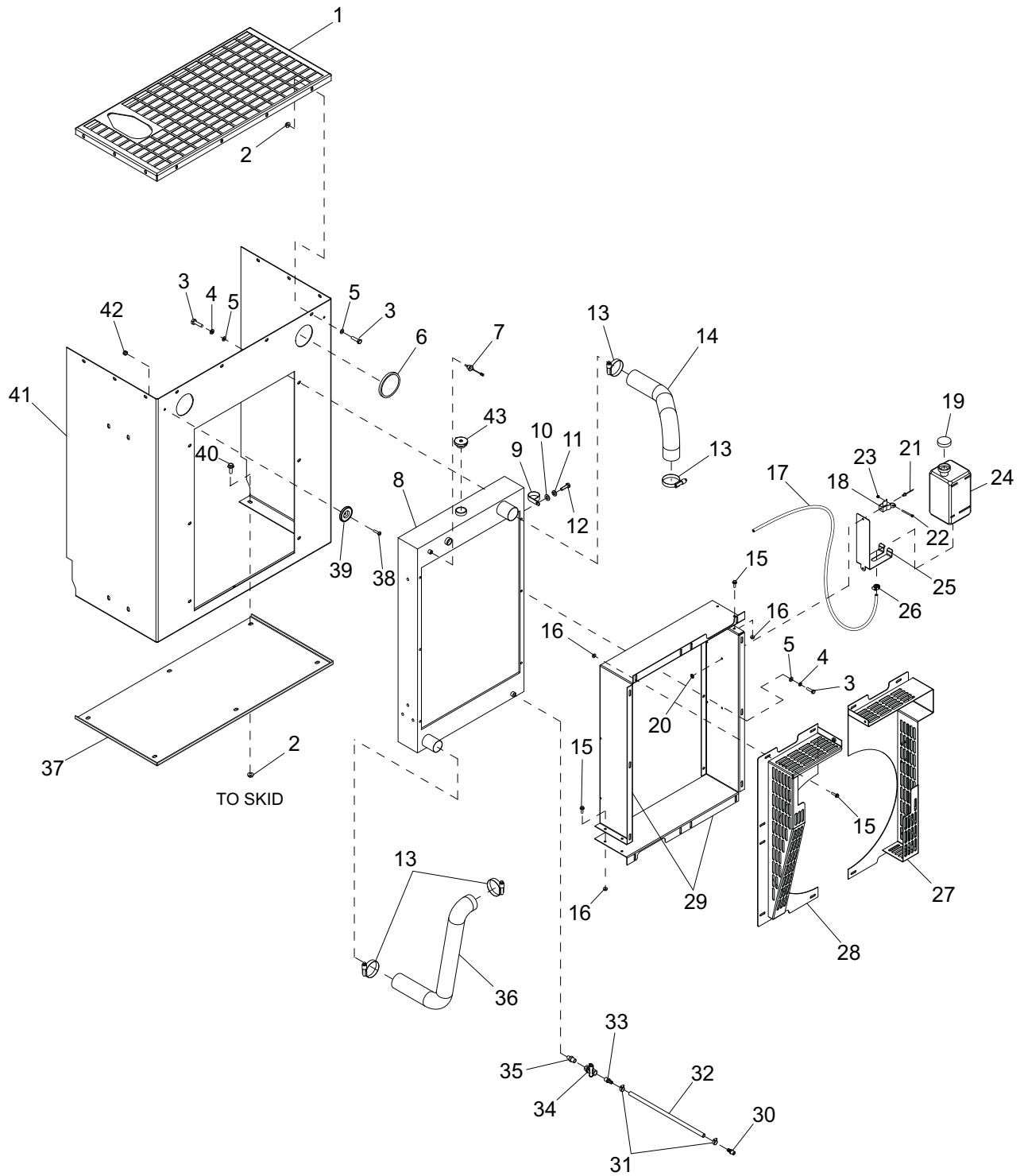
ITEM	PART	QTY	DESCRIPTION	NOTES
1	65580	1	Block, e-stop contactor	N.C.
2	65584	1	Block, e-stop contactor	N.O. / N.O.
3	30645	1	Panel, emergency stop	
4	65470	1	Switch, e-stop operator	
5	22550	1	Switch, e-stop	2N.O./1N.C.


EXHAUST SYSTEM ASSEMBLY



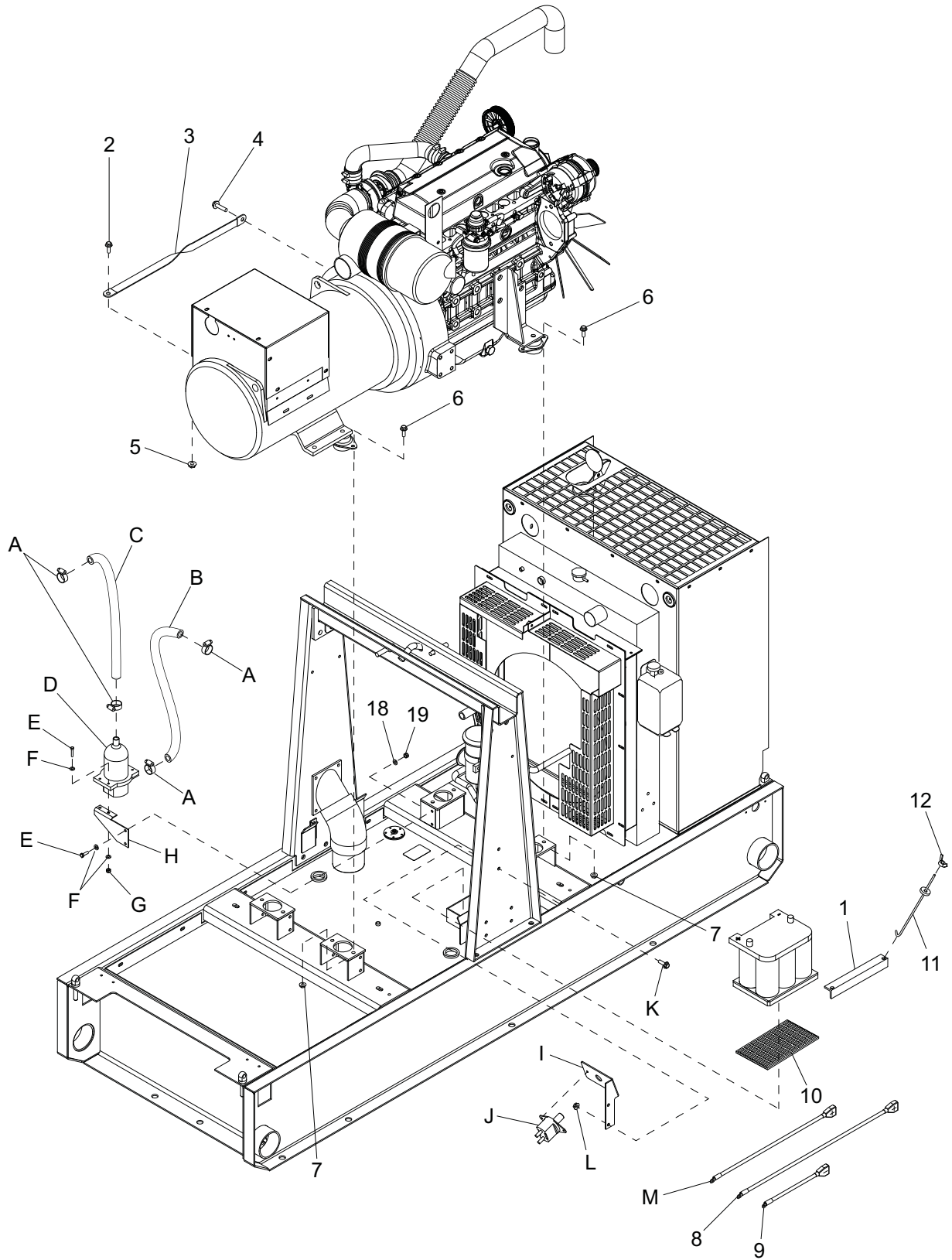
ITEM	PART	QTY	DESCRIPTION	NOTES
1	22712	1	Clamp, V-band - 2.75"	
2	26479	4 ft.	Sleeve, high temp - 3"	
3	19336	2	Clamp, hose	
4	24578	1	Pipe, exhaust	
5	25647	1	Cap, rain - 2.5"	
6	61091	4	Screw, .312-18 X 1" ser flg	
7	24332	1	Muffler, exhaust	
8	60095	4	Nut, .312-18 hx ser flg	
9	15550	1	Clamp, muffler - 2.5"	

COOLING SYSTEM ASSEMBLY



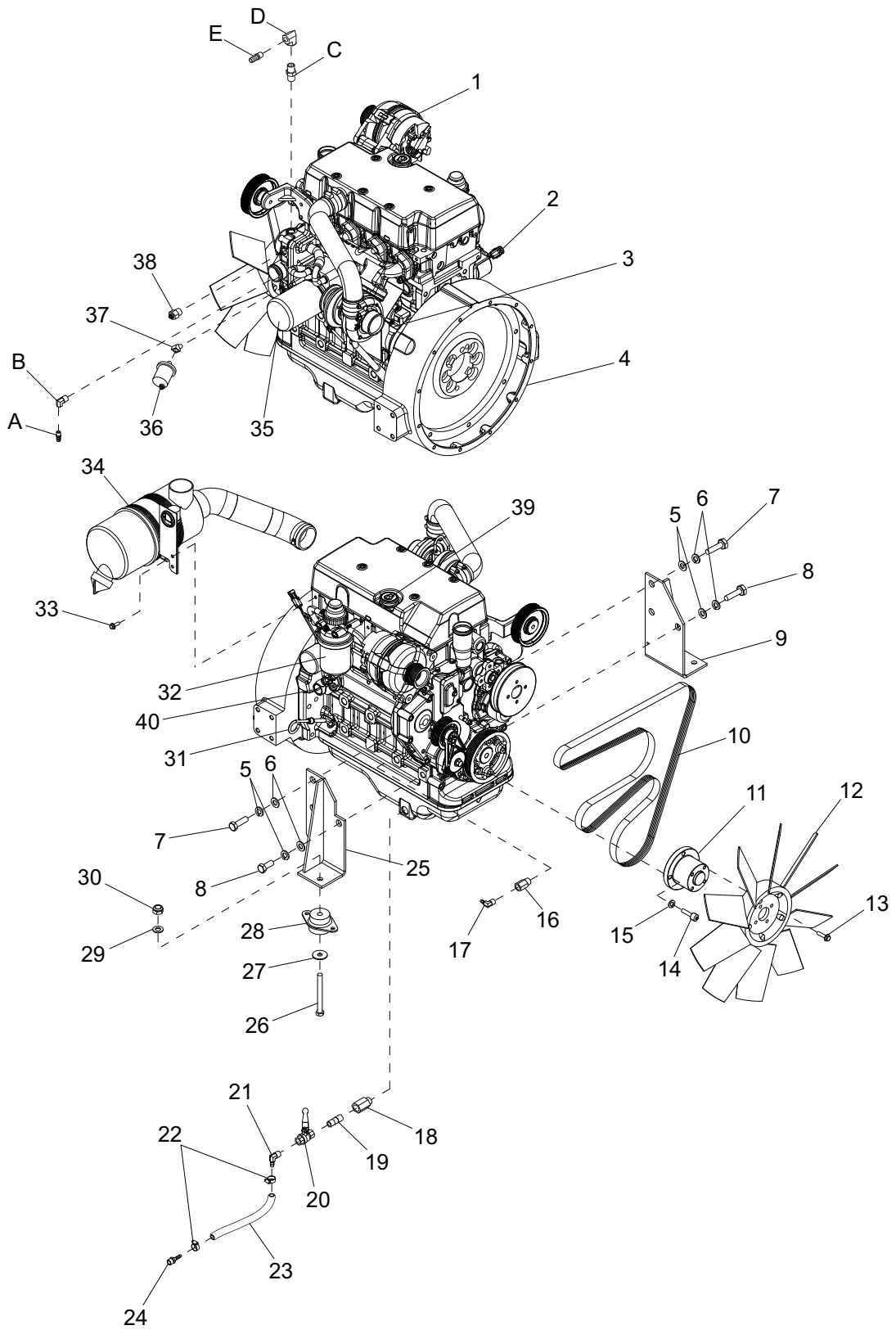
ITEM	PART	QTY	DESCRIPTION	NOTES
1	24309B	1	Panel, roof outlet	
2	60095	16	Nut, .312-18 hx ser flg	
3	60168	22	Screw, .312-18X.750 std hex	
4	60271	12	Washer, split lock .312	
5	60119	22	Washer, flat .312	
6	27434	1	Plug, 3" hole-nylon press-in	
7	65592	1	Sensor, low coolant	
8	41257	1	Radiator	
9	60649	1	Clamp, tubing - .750	
10	60698	1	Washer, flat .375 USS SS	
11	60703	1	Washer, split lock .375 SS	
12	60690	1	Screw, .375-16X1" std hex	
13	60660	4	Clamp, hose - const. trq.	
14	24797	1	Hose, radiator - upper	
15	60479	15	Screw, .250-20x1"hx ser flg	
16	60161	14	Nut, .250-20 hx ser flg	
17	50018	3.92 ft.	Hose, fuel - .312 ID 50 psi	
18	19726	1	Clamp, overflow bottle	
19	19714	1	Cap, overflow bottle	
20	60041	2	Washer, flat M5	
21	60268	2	Rivet, .188 dia	
22	60725	1	Screw, 8-32x2.50 pan slot, G2	
23	60270	1	Nut, 8-32 Nylock	
24	41958	1	Jug, overflow 3.5 qt.	
25	41206B	1	Bracket, overflow jug	
26	60777	2	Clamp, hose - crimp style	
27	41012B	1	Weldment, fan guard - right	
28	41011B	1	Weldment, fan guard - left	
29	24532B	2	Radiator shroud	
30	60999	1	Fitting, strt-.500MNPTx.312 barb brs	
31	14216	2	Clamp, hose - mini	
32	50018	.812 ft.	Hose, .312 ID 50psi	
33	19180	1	Fitting, hose barb	
34	19280	1	Valve, ball 90 - .375 NPT	
35	25922	1	Nipple, pipe - .375NPT	
36	24798	1	Hose, lower radiator	
37	24849B	1	Panel, bulkhead lower	
38	60068	2	Screw, 10-24X .5" pan phil	
39	24950	2	Magnet, disc - 2.03"	
40	61091	5	Screw, .312-18 X 1" ser flg	
41	24951B	1	Panel, bulkhead	
42	60457	2	Nut, 10-24 Nylock	
43	19129	1	Cap, radiator pressure sma 	

ENGINE TO SKID ASSEMBLY



ITEM	PART	QTY	DESCRIPTION	NOTES
1	41055B	1	Bracket, battery tie-down	
2	60353	2	Screw, hx flg self tapping	
3	19042	1	Strap, ground - 10 in.	
4	60039	1	Screw, M12X20 hx ser flg	
5	60145	2	Nut, .375-16 hx ser flg lock	
6	60205	8	Screw, .375-16x1.000 std hex	
7	60358	8	Nut, .375-16 hx Nylock	
8	24777	1	Cable, battery - 53" 2ga red	
9	24778	1	Cable, battery - 15" 2ga blk	
10	41185	1	Battery pad	
11	60820	2	Bolt, J - .250-20 X 9.00	
12	60090	2	Nut, .250-20 wing	
A	60365	4	Clamp, hose	Option: coolant heater
B	50201	2.6 ft.	Hose, coolant - .625 I.D.	Option: coolant heater
C	50201	2.4 ft.	Hose, coolant - .625 I.D.	Option: coolant heater
D	25914	1	Heater, coolant - 120V, 500W	Option: coolant heater
E	60393	4	Screw, .250-20x1.000 std hex	Option: coolant heater
F	60243	8	Washer, flat .250	Option: coolant heater
G	60144	4	Nut, .250-20 Nylock	Option: coolant heater
H	26092B	1	Bracket, coolant heater	Option: coolant heater
I	26095B	1	Bracket, battery disconnect	Option: battery disconnect
J	21489	1	Switch, battery disconnect	Option: battery disconnect
K	60523	2	Screw, .250-20x.875 sflg	Option: battery disconnect
L	60161	2	Nut, .250-20 sflg, G5	Option: battery disconnect
M	27517	1	Cable, battery - 22" 2ga blk	Option: battery disconnect

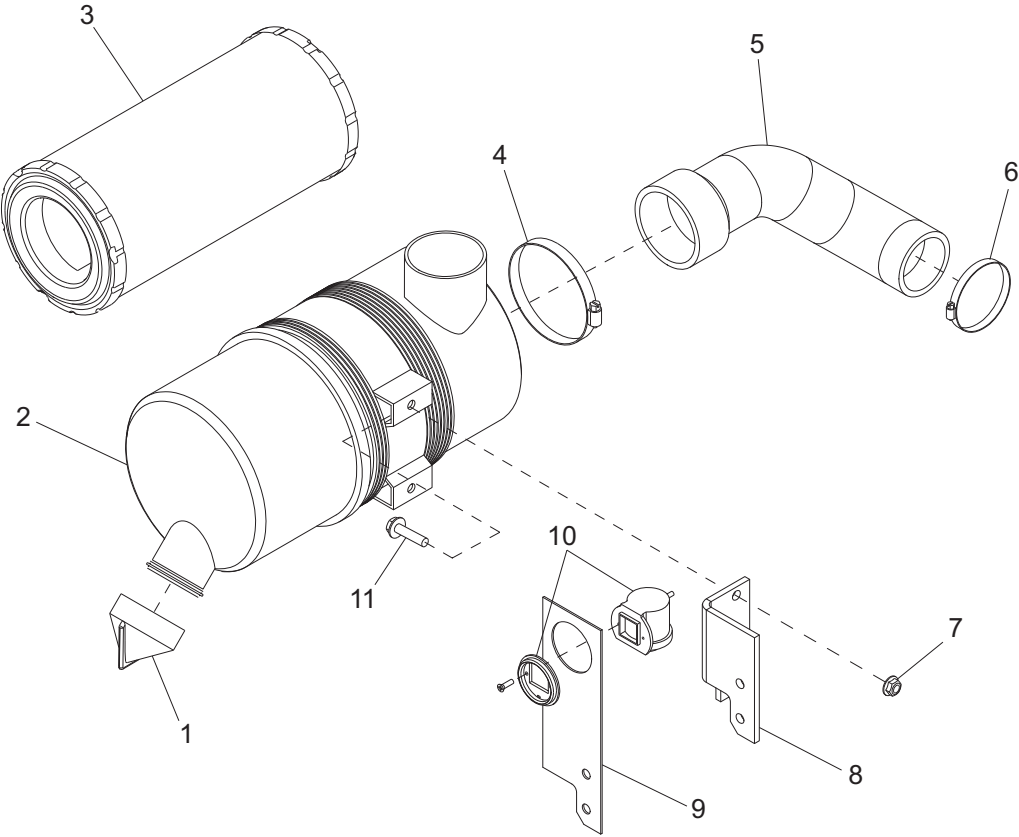
ENGINE ASSEMBLY



ITEM	PART	QTY	DESCRIPTION	NOTES
1	26270	1	Alternator, engine	
2	26168	1	Sensor assy, mag pickup	
3	23105	1	Starter, engine	
4	26735	1	Engine, Deere 4024TF281 Exh iT4	
5	60194	6	Washer, split lock M16	
6	60193	6	Washer, flat M16	
7	60381	4	Screw, M16X50 std hex	
8	60489	2	Screw, M16X40 std hex	
9	24204B	1	Weldment, eng mnt - lft	
10	24845	1	Belt, fan	
11	41048	1	Spacer, fan	
12	41121	1	Fan, pusher - 18" CW	
13	61204	4	Screw, M8-1.25X20 hx G10.9	
14	60859	4	Screw, M10X1.5X45 soc hd	
15	60026	4	Washer, split lock M10	
16	24924	1	Fitting, M20 o-ring seal	
17	20645	1	Fitting, 90° .250 NPT x .375 barb brs	
18	19307	1	Fitting, strt .500 FNPT x M22 x 1.500 brs	
19	60438	1	Fitting, nipple - pipe .500 NPT x close	
20	19279	1	Valve, ball 90 - .500 NPT	
21	61014	1	Fitting, 90° .500 MNPT x .625 barb brs	
22	60365	2	Clamp, hose	
23	50201	.5 ft.	Hose, coolant - .625 I.D.	
24	60502	1	Fitting, strt - .500MNPTx.625 barb brs	
25	24205B	1	Weldment, eng mnt - rht	
26	61104	2	Screw, .500 - 13 x 5.5"	
27	18085	2	Washer, snubber	
28	22788	2	Mount, rubber shock	
29	60416	2	Washer, flat .500	
30	62221	2	Nut, .500-13 Nylock, G5	
31	26269	1	Dipstick, oil fill	
32	23145	1	Filter, fuel	
33	60168	2	Screw, .312-18X.75" std hex	
34	Page 46	1	Assembly, air filter	
35	29487	1	Filter, oil	
36	18106	1	Sensor, oil pressure	
37	22331	1	Fitting, 45° street - brass	
38	22690	1	Sensor, coolant temp.	
39	23106	1	Oil fill cap	
40	24763	1	Actuator, governor	
-	24168	-	Assembly, engine	Items 1 - 40
A	25931	2	Fitting, hose barb	Option: coolant heater
B	23146	1	Fitting, 90°- brass	Option: coolant heater
C	22462	1	Fitting, 90-.500FNPT brass	Option: coolant heater
D	19257	1	Fitting, strt - Oring seal	Option: coolant heater
E	60502	1	Fitting, strt - barb	Option: coolant heater
--	27272	1	Oil vapor recovery (OVR) heater kit	Option: oil vapor recovery heater (not shown)

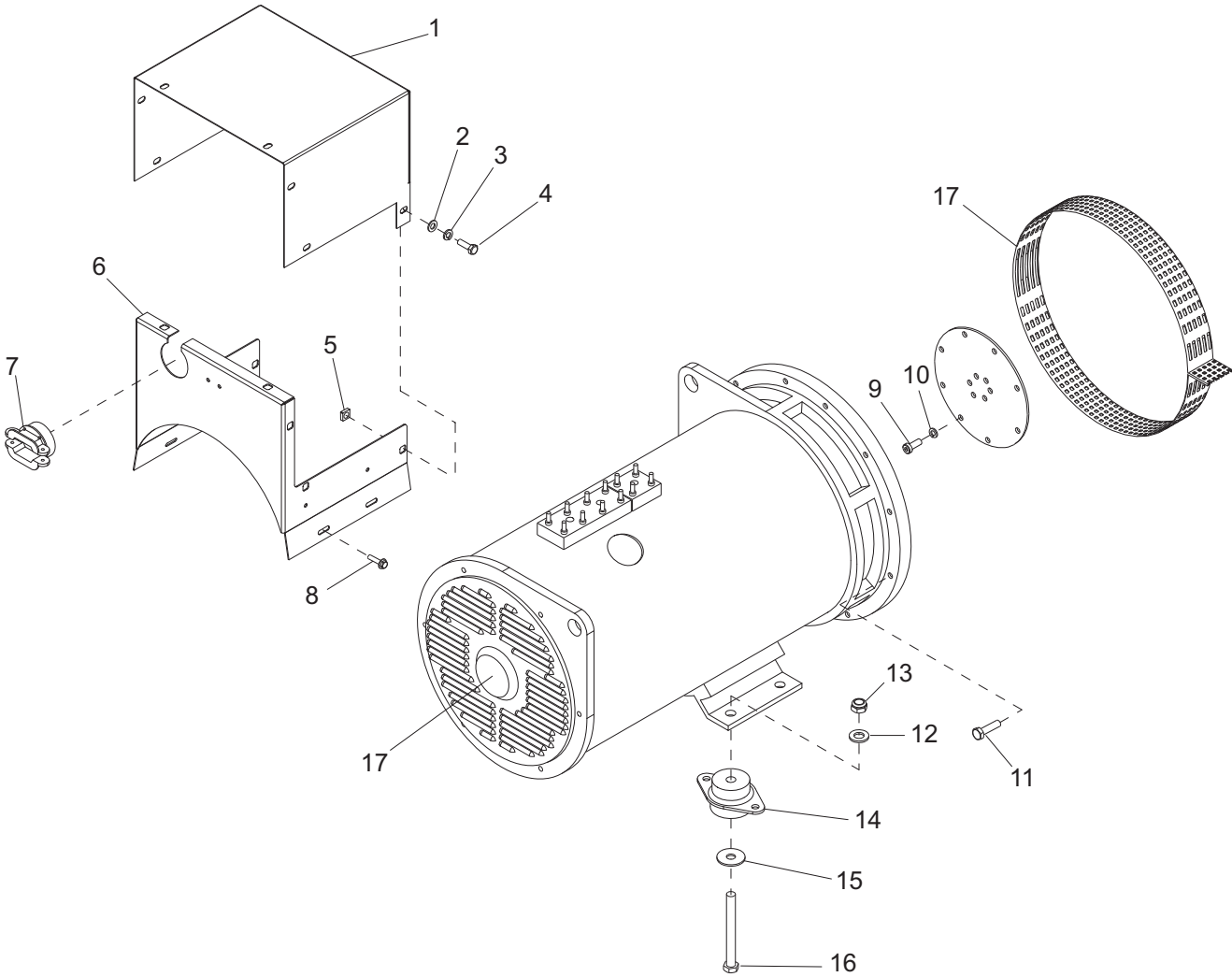
Note: Engine and generator parts used in all Magnum Power Products LLC equipment carry the Original Equipment Manufacturer (OEM) warranty unless otherwise stated. OEM warranty parts must be purchased through an OEM dealer. Please contact Magnum Power Products LLC with questions.

AIR FILTER ASSEMBLY



ITEM	PART	QTY	DESCRIPTION	NOTES
1	19277	1	Cap, dust ejector	
2	22967	1	Filter, air	
3	22874	1	Element, air filter	
4	18663	1	Clamp, hose SAE 060	
5	24927	2	Hose, air filter	
6	19336	1	Clamp, hose SAE 044	
7	60095	2	Nut, .312-18 hx ser flg	
8	24257B	1	Bracket, air filter	
9	24793B	1	Plate, filter minder mounting	
10	18609	1	Kit, filter minder gauge	
11	61091	2	Screw, ser flg hd .312-18 x 1"	

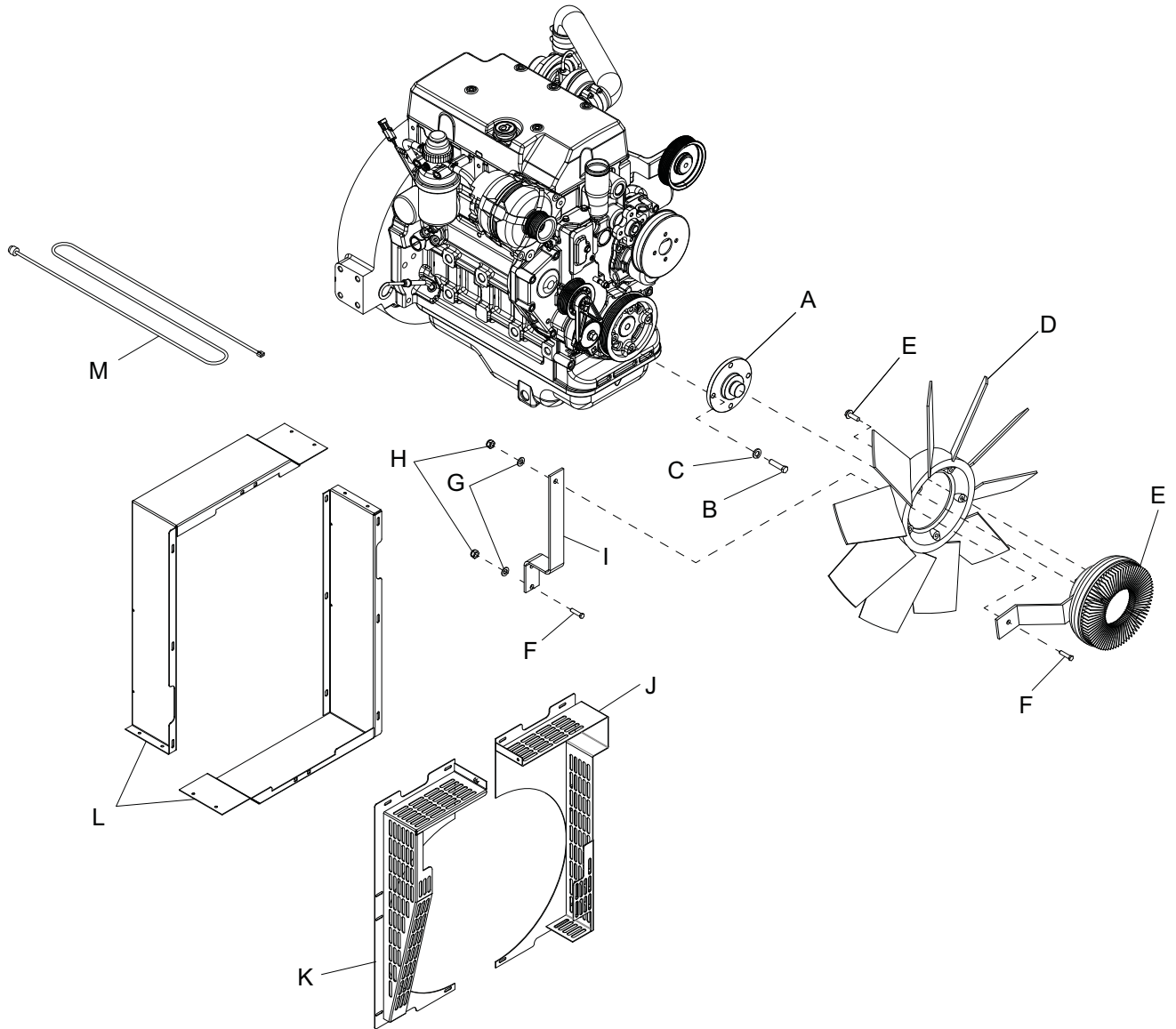
GENERATOR ASSEMBLY



ITEM	PART	QTY	DESCRIPTION	NOTES
1	26432B	1	Panel, gen box - cover	
2	60119	8	Washer, flat .312	
3	60271	8	Washer, split lock .312	
4	60168	8	Screw, .312-18x.750 std hex	
5	15425	8	Nut, .312-18 cage	
6	26431B	1	Panel, gen box - lower	
7	65788	1	Strain relief - 2.00 Romex	
8	60175	4	Screw, .250-20x.500 hx ser flg	
9	60717	8	Screw, .75-16x.750 soc hd	
10	60703	8	Washer, split lock .375 SS	
11	60055	12	Screw, M10-1.50x35 std std hex G10.9	
12	60416	2	Washer, flat .500 USS	
13	62221	2	Nut, .500-13 Nylock, G5	
14	22788	2	Mount, rubber shock	
15	18085	2	Washer, snubber	
16	61094	2	Screw, .500-13x3.500 std hex G8	
17	24163	1	Generator, 283PSL1707	
-	24165	1	Generator, 284CSL1542	Option: Super Start (not shown)

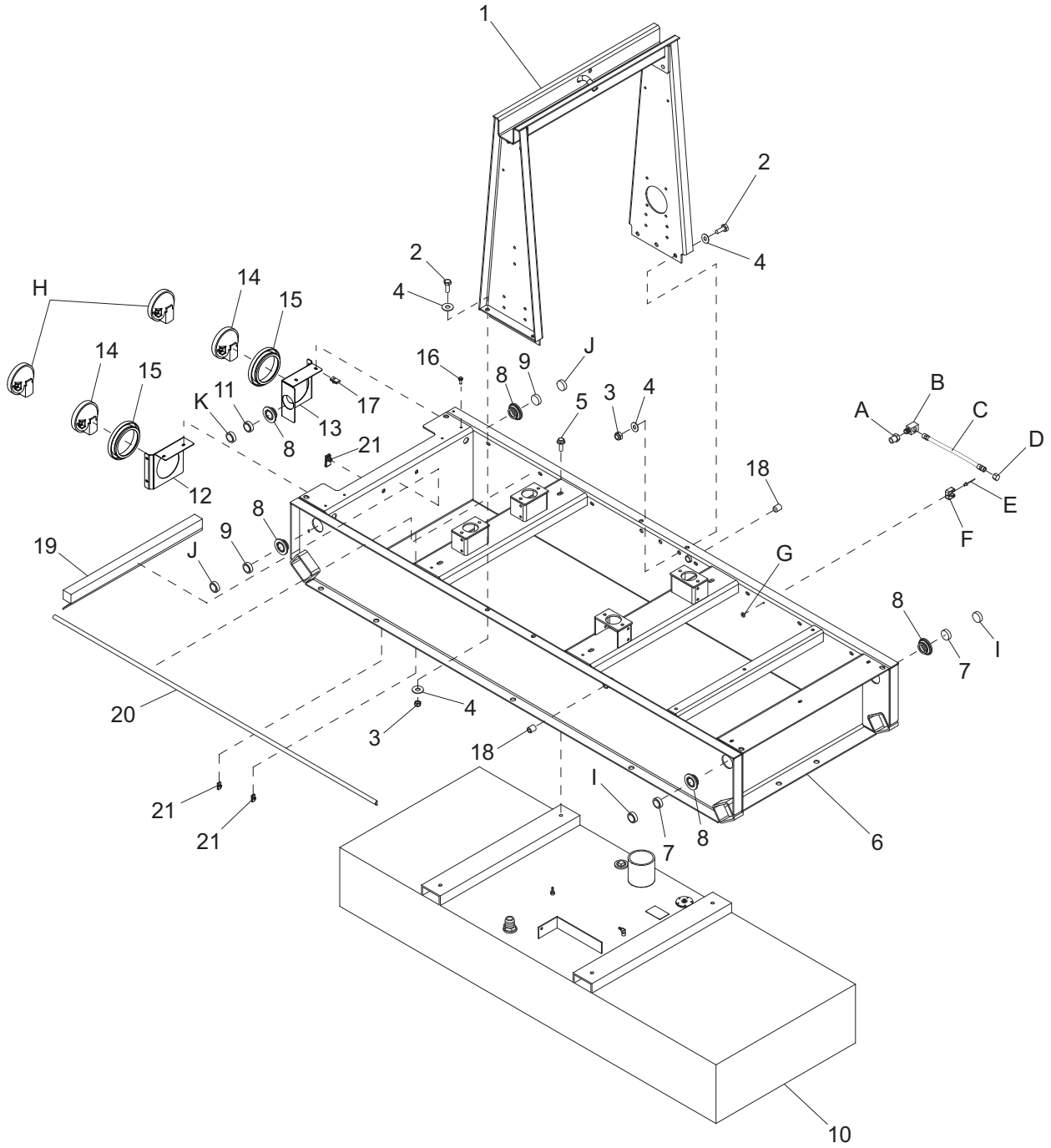
Note: Engine and generator parts used in all Magnum Power Products LLC equipment carry the Original Equipment Manufacturer (OEM) warranty unless otherwise stated. OEM warranty parts must be purchased through an OEM dealer. Please contact Magnum Power Products LLC with questions.

FAN CLUTCH ASSEMBLY OPTION



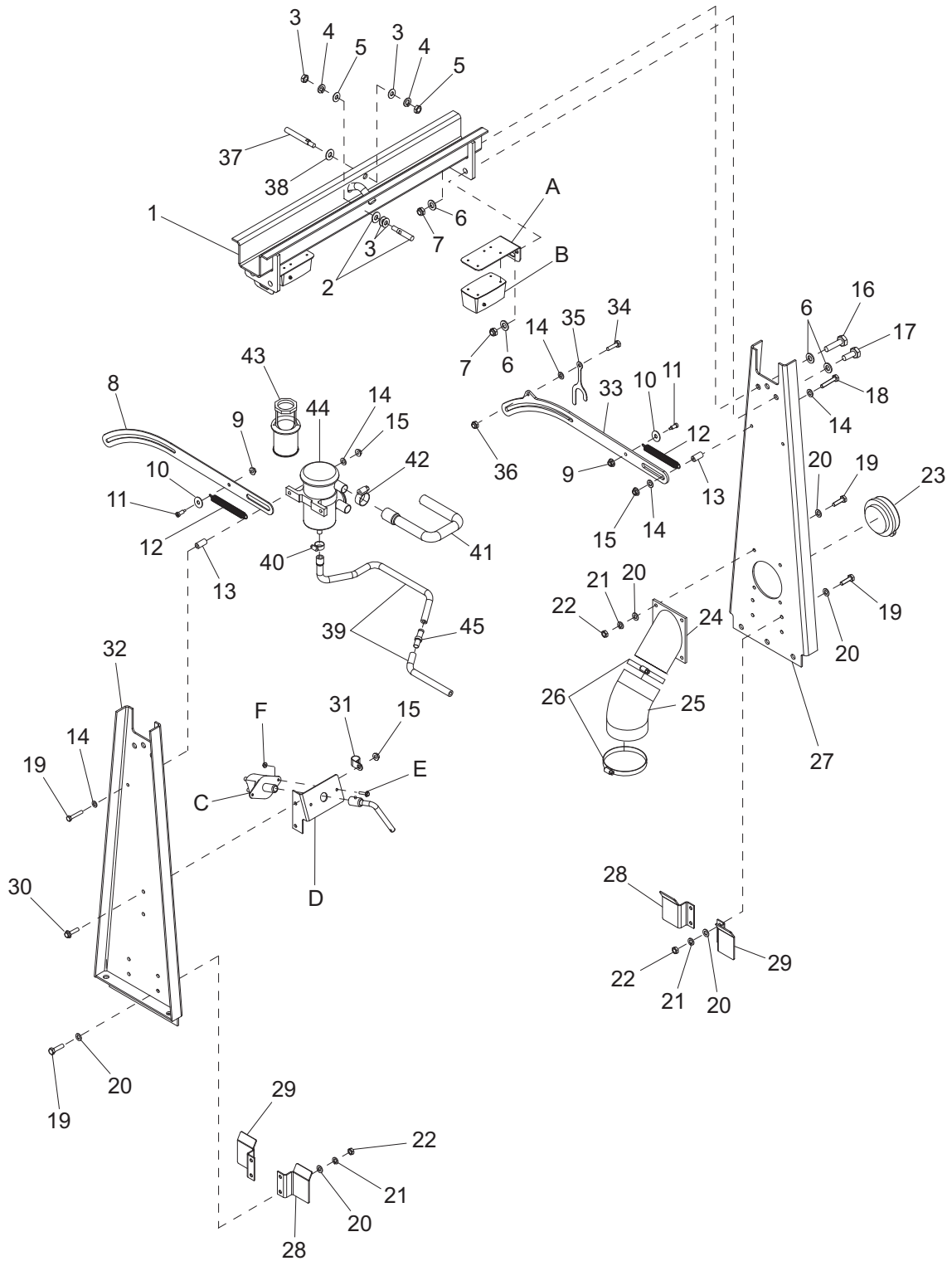
ITEM	PART	QTY	DESCRIPTION	NOTES
A	30377	1	Hub, fan clutch mount	
B	60177	4	Screw, M10-1.50x30 std hex G10.9	
C	60026	4	Washer, M10 split lock	
D	30024	1	Fan, engine - 20"	
E	30023	1	Clutch, fan - for 20" fan	
F	60028	2	Screw, .312-18x1.000 std hex G5	
G	60119	2	Washer, .312 flat .875/.070	
H	60303	2	Nut, .312-18 nylok G2	
I	30783B	1	Bracket, arm	
J	30717B	1	Weldment, fan guard - LH	
K	30718B	1	Weldment, fan guard - RH	
L	30897B	1	Shroud, radiator - 35FH 20" clutch fan	
M	66745	1	Harness, clutch fan (20) - fan assy	
--	66746	1	Harness, clutch fan (20) - control box	(not shown)

SKID ASSEMBLY



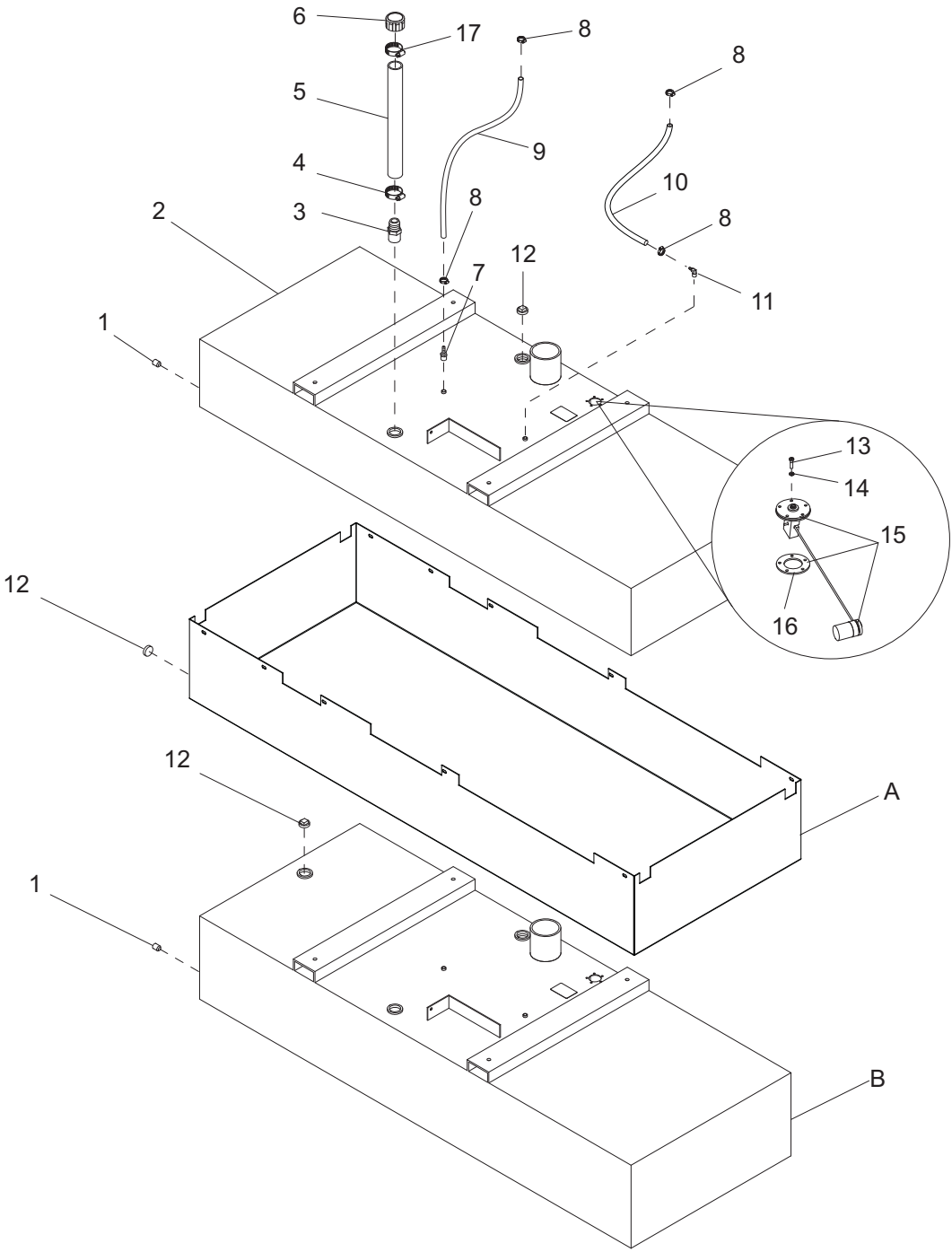
ITEM	PART	QTY	DESCRIPTION	NOTES
1	Page 54	1	Assembly, lift structure	
2	60388	10	Screw, .500-13x1.500 std hex	
3	62221	10	Nut, .500-13 Nylock, G5	
4	60309	20	Washer, flat .500	
5	61103	4	Screw, .500-13x1.750 hx ser flg	
6	29580B	1	Weldment, skid	
7	66702	2	Light, clearnace - 2.0" amber, LED	
8	66394	5	Grommet, rubber 2.0"	
9	66703	2	Light, clearnace - 2.0" red, LED	
10	Page 56	1	Assembly, fuel tank	
11	66704	2	Light, utility - 2.0" clear, LED	
12	29673B	1	Bracket, rear light right side	
13	29674B	1	Bracket, rear light left side	
14	66701	2	Light, rear tail/turn round - LED	
15	10221	2	Grommet, rear light rubber 4.5"	
16	60479	8	Screw, .250-20x1.00 sflg hx	
17	61089	8	Nut, .250-20 U-clip	
18	18394	2	Fitting, plug .500NPTxinternal hex	
19	26395	1	Foam, tank sealing	
20	50358	13.42 ft.	Seal, rubber - bubble type	
21	61147	2	Nut, .312-18 U-clip, G5	
A	22570	1	Fitting, strt .500MNPTx.375FNPT	Option: oil drain (tandem tow)
B	15396	1	Fitting, .375NPT X 90° brass	Option: oil drain (tandem tow)
C	19168	1	Hose assy, radiator drain,	Option: oil drain (tandem tow)
D	19300	1	Fitting, pipe, .375 hex cap	Option: oil drain (tandem tow)
E	60231	1	Rivet, .188 dia	Option: oil drain (tandem tow)
F	19041	1	Clip, spring holder	Option: oil drain (tandem tow)
G	60237	1	Washer, flat SAE #10	Option: oil drain (tandem tow)
H	10220	2	Light, rear tail/turn round	Option: Incandescent light
I	66396	2	Light, clearance - 2.0" amber	Option: Incandescent light
J	66397	2	Light, clearance - 2.0" red	Option: Incandescent light
K	66395	1	Light, utility, 2.0" clear	Option: Incandescent light

LIFT STRUCTURE ASSEMBLY



ITEM	PART	QTY	DESCRIPTION	NOTES
1	24212B	1	Weldment, top lift channel	
2	23643	1	Pin, striker	
3	60416	4	Washer, flat .50	
4	60276	2	Washer, split lock .500	
5	24046	2	Striker nut, .438	
6	60309	12	Washer, flat .500	
7	62221	6	Nut, .500-13 Nylock, G5	
8	24779B	1	Link, hood hold open	
9	60145	2	Nut, .375-16 hx ser flg lock	
10	60386	2	Washer, flat .375	
11	61062	2	Screw, .375 shoulder	
12	24823	2	Spring, rear hood	
13	24925B	2	Spacer, 1.00 long	
14	60340	3	Washer, flat .312 SS	
15	60095	4	Nut, .312-18 hx ser flg	
16	60484	1	Screw, .500-13x2.000 std hx G5	
17	60388	5	Screw, .500-13x1.500 std hex G5	
18	60785	1	Screw, .312-18x2.000 std hex 18-8 SS	
19	61036	13	Screw, .375-16x1.250 std hex 18-8 SS	
20	60698	24	Washer, flat .375 USS SS	
21	60206	12	Washer, split lock .375	
22	60140	12	Nut, .375-16 std hex	
23	23707	1	Cap, fuel fill - 3.50	
24	24296B	1	Weldment, fuel fill	
25	22286	1	Elbow, 45° rubber	
26	19842	2	Clamp, hose	
27	24519B	1	Weldment, lift post - left	
28	28524B	2	Brckt, hood guide-lft/frnt, rht/rr	
29	28523B	2	Brckt, hood guide-rht/frnt, lft/rr	
30	61091	2	Screw, .312-18 X 1.00 ser flg	
31	60716	1	Clamp, tubing - 1.50 lt duty	
32	24520B	1	Weldment, lift post - right	
33	41573B	1	Link, hood hold open	
34	60654	1	Screw, h.312-18x1.000 btn hex 18-8 SS	
35	41568R	1	Latch, anti-shut	
36	60303	1	Nut, .312-18 hx Nylock	
37	26979ZY	1	Pin, striker - 3.25	
38	24196	1	Washer, striker pin	
39	24171	1	Hose, OCV drain	
40	60365	2	Clamp, hose	
41	24170	1	Hose, OCV vent	
42	19338	2	Clamp, hose	
43	24552	1	Filter, oil recirculation	
44	24318	1	Kit, oil recirculation	
45	26407	1	Valve, Provent oil check	
A	26096B	2	Bracket, interior light	Option: interior light
B	11947	2	Light, interior with switch	Option: interior light
C	21489	1	Battery disconnect switch	Option: batter disconnect
D	26095B	1	Bracket, battery disconnect	Option: batter disconnect
E	60107	2	Screw, .250-20x.750 sflg hex G5	Option: batter disconnect
F	60161	2	Nut, .250-20 hx ser flg	Option: batter disconnect

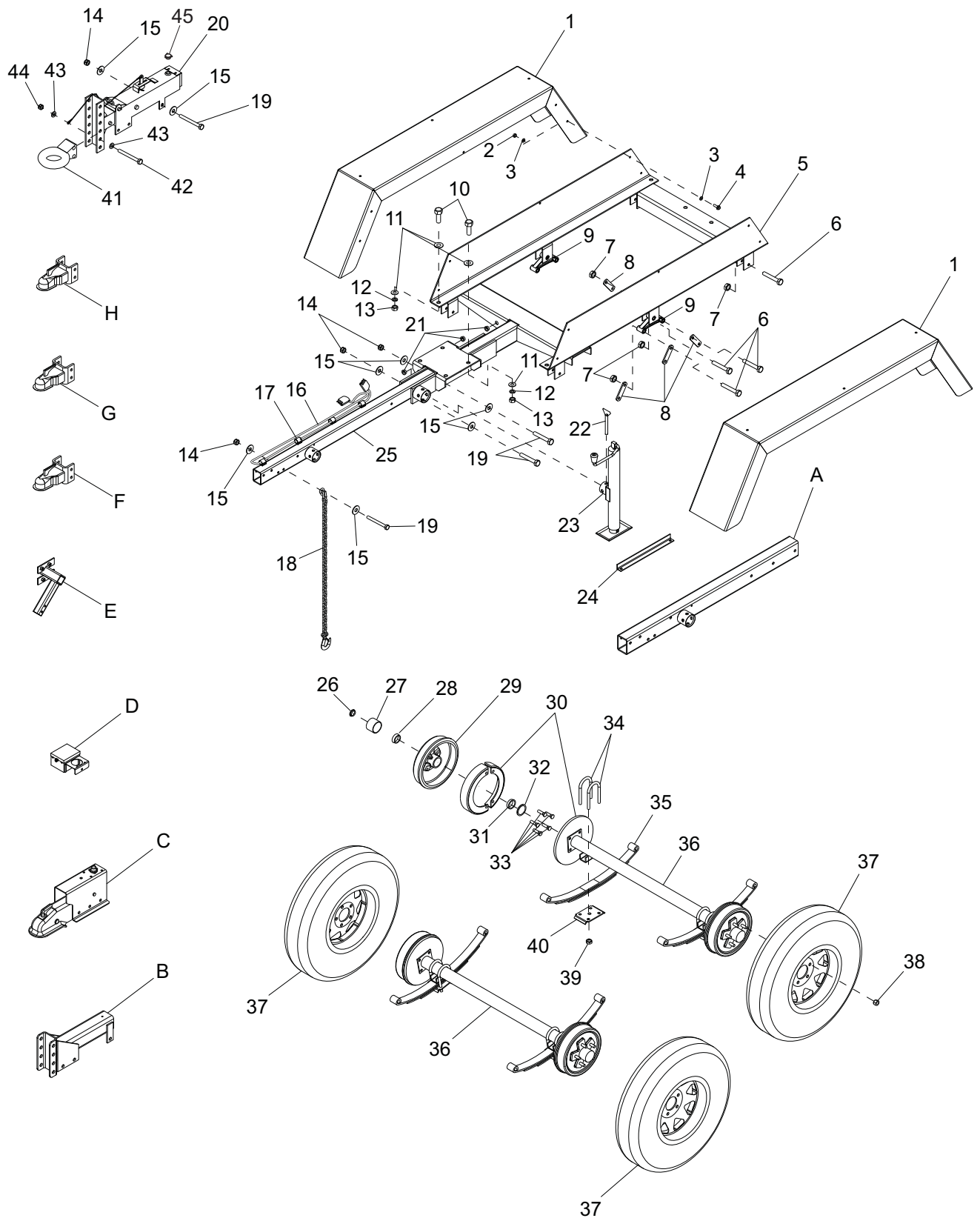
FUEL TANK ASSEMBLY



ITEM	PART	QTY	DESCRIPTION	NOTES
1	18394	1	Fitting, plug, .500NPT	
2	24308B	1	Tank, fuel - 106 gal.	
3	21451	1	Fitting, 1.00NPT x 1" barb	
4	19338	1	Clamp, hose	
5	50019	3.00 ft.	Hose, fuel - 1"	
6	26379	1	Vent, plastic fuel 1.00 ID	
7	15142	1	Fitting, strt .250NPT x .312 barb	
8	60777	4	Clamp, hose - .312 crimp style	
9	50018	2.67 ft.	Hose, fuel - .312 ID 50psi	
10	50018	2.17 ft.	Hose, fuel - .312 ID 50psi	
11	15693	1	Fitting, 90-.250NPT x .312 barb	
12	65636	1	Plug, flush mount	
13	60062	5	Screw, 10-32x.750 pan phil	
14	60252	5	Washer, #10 split lock	
15	20571	1	Sender, fuel - 10-15" tank	
16	22323	1	Gasket, fuel sending unit	
17	62040	1	Clamp, hose	
A	26100B	1	Pan, 24 hr. containment	Option: 120% containment
B	26406B	1	Tank, fuel - 78 gal. dbl wall	Option: 78 gal. double wall tank

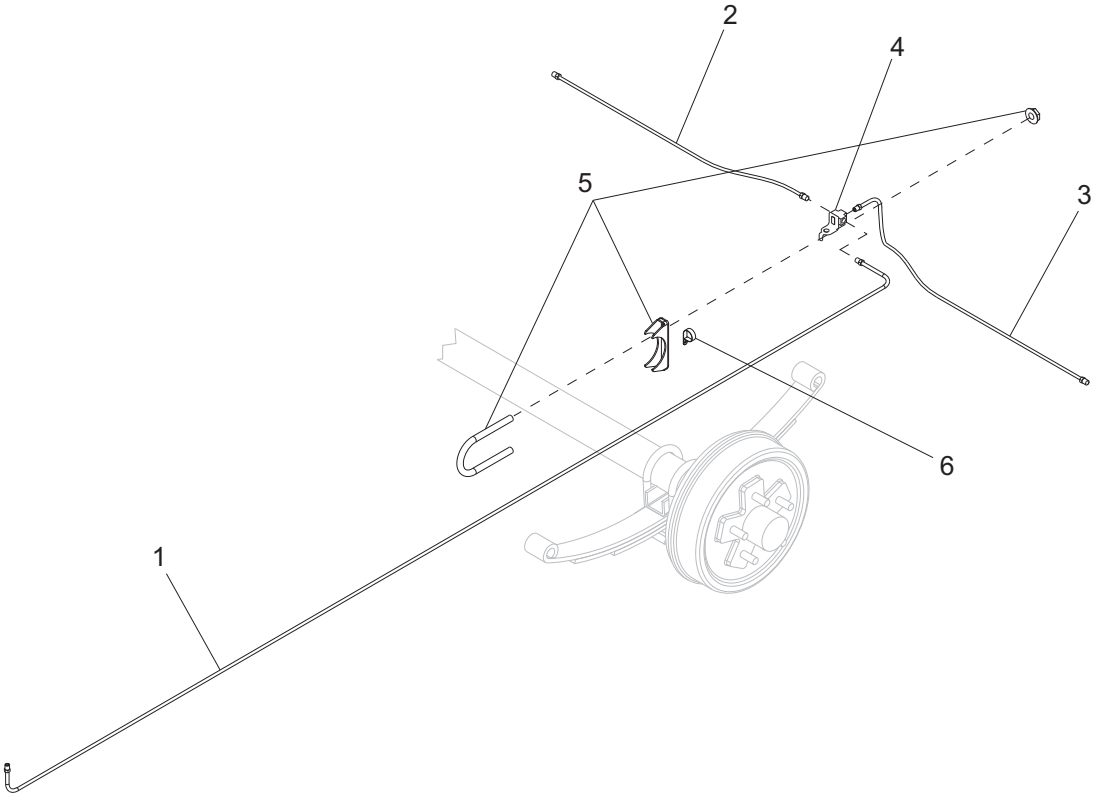
ITEM	PART	QTY	DESCRIPTION	NOTES
1	22743B	2	Fender, single wheel	
2	60517	8	Screw .375-16X1.000 sflg hex	
3	60386	16	Washer, flat .375	
4	60358	8	Nut, .375-16 hex hd	
5	60504	6	Nut, .562-18 hex	
6	19637	4	Plate, shackle bracket	
7	24811B	1	Weldment, trailer chassis	
8	60503	6	Screw, .562-18 hex shackle	
9	24691B	1	Brace, tongue shipping	
10	60383	6	Screw, .750-10X1.500 hex hd	
11	60247	6	Washer, flat .750	
12	60248	6	Washer, split lock .750	
13	15293	6	Nut, .750-10 hex	
14	22340	2	Bushing, 1.00 OD X .75 ID	
15	60416	14	Washer, .500 flat	
16	62221	7	Nut, .500-13 Nylock, G5	
17	15626	7	Clamp, tubing - .375 heavy duty	
18	23390	1	Harness, trailer extension assembly	
19	27976	1	Harness, trailer small flip	
20	61104	3	Screw, .500-13X5.500 hex hd G8	
21	23367	2	Chain, safety - 7,800 lbs rated	
22	24812B	1	Weldment, flip tongue	
23	23256	1	Pin, jack - 2000lb tube mounted	
24	12647	1	Tether, cable, 11.5 long X .06 SS	
25	13051	1	Jack, 3000lb top wind - tube mtd.	
26	24304	1	Actuator, hyd surge - 2" ball, 6000 lb	
27	41762	1	O-ring, 24mm	
28	11254	2	Plug, grease cap - for zerk	
29	11253	2	Cap, grease - axis 3500#, plug not included	
30	40956	2	Outer bearing	
31	12311	2	Brake drum - 10" 5 on 4.5"	
32	40765	2	10" surge free-backing brake assy RH	
	40764	2	10" surge free-backing brake assy LH	
	26443	2	10" electric brake assembly kit, RH	Option: electric brakes
	26442	2	10" electric brake assembly kit, LH	Option: electric brakes
33	11277	4	U-bolt 3500lb	
34	11280	2	Leaf spring 3500lb	
35	19421	1	Axle, 3500lb hydraulic	
	19422	1	Axle, 3500lb electric	Option: electric brakes
36	15540	2	Wheel, ST205/75R15, 1820#-6 PR	
37	60096	10	Nut, .500-20 wheel lug	
38	26441	8	U-bolt nut, 1/2-20 plated	
39	11278	2	Tie-plate 3500lb	
40	60674	10	Stud, wheel - .500-20 G8	
41	12307	2	Bearing seal DL350	
42	40954	2	Inner bearing	
43	30248	1	Cap, actuator - sealed	
A	15103	1	Coupler, 2.00 ball/3.00 channel	Option: Non-adjustable
B	19379B	1	Weldment, hitch 4 pos.	Option: adjustable hitch, elec
C	11032	1	Weldment, lun. ring - 3.0ID/3.0 tongue	Option: non-adjustable
D	12235B	1	Weldment, spare tire holder	Option: spare tire holder
E	19417	1	Breakaway Kit	Option: breakaway kit
F	19518	1	Coupler, 2.00 ball	Option: adjustable
G	19519	1	Coupler, 2.31 ball	Option: adjustable
H	19335B	1	Hitch, pintle eye - 3.00 ID	Option: adjustable
I	41795	1	Coupler, 2.31 bulldog	Option: adjustable
J	60239	2	Screw, .625-11x5.000 hex hd	Option: adjustable
K	60180	4	Washer, flat .625	Option: adjustable
L	60240	2	Nut, .625-11 hex Nylock	Option: adjustable
M	40529	1	Actuator, hyd surge brake 7500lb	Option: adjustable actuator, hyd
N	24824B	1	Weldment, flip tongue	Option: for adj. actuator/hitch
O	11276	2	Hub w/races 3500lb	Option: no brakes
P	18358	1	Single (3500lb), no brakes	Option: no brakes

TRAILER ASSEMBLY - TANDEM AXLE



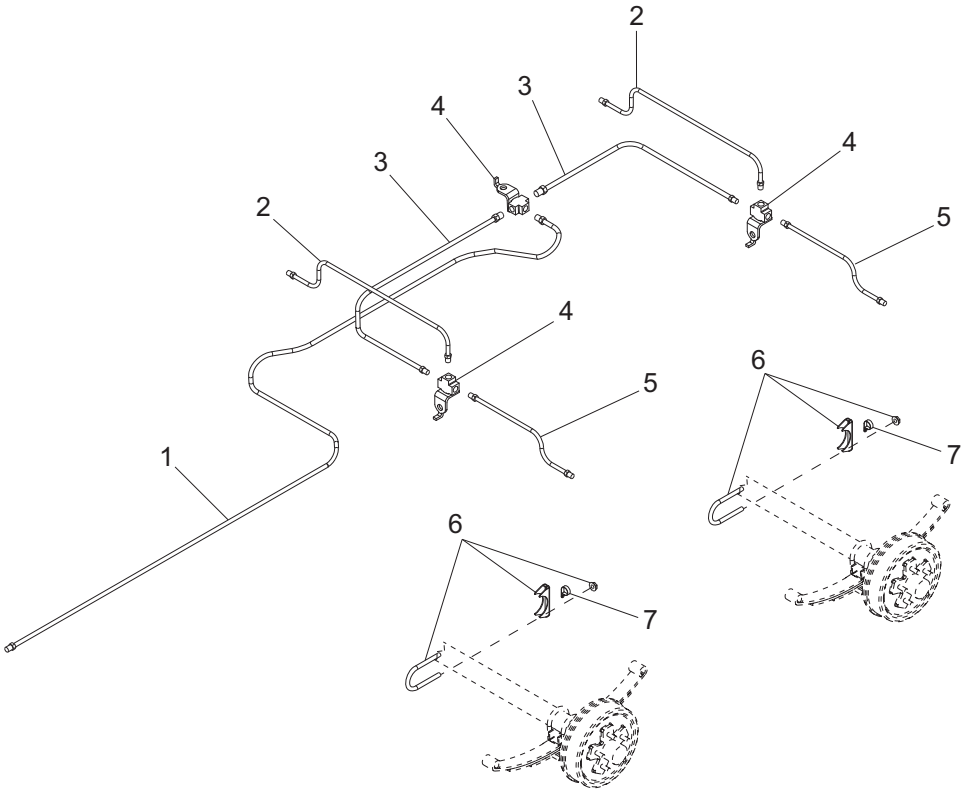
ITEM	PART	QTY	DESCRIPTION	NOTES
1	22976B	2	Weldment, fender tandem	
2	60140	10	Nut, .375-16 std hex	
3	60386	20	Washer, flat .375	
4	60179	10	Screw, .375-16X.750 std hex	
5	24789B	1	Weldment, trailer	
6	60503	14	Screw, .562-18 hx shackle	
7	60504	14	Nut, .562-18 hx shackle lock	
8	19637	8	Plate, shackle bracket	
9	40545	2	Equalizer, tandem axle	
10	60383	6	Screw, .750-10X1.500 std hex	
11	60247	12	Washer, flat .750	
12	60248	6	Washer, split lock .750	
13	15293	6	Nut, .750-10 hx	
14	62221	5	Nut, .500-13 Nylock, G5	
15	60309	18	Washer, flat .500	
16	29733	1	Harness, trailer extension 80"	
17	15626	5	Clamp, tubing - .375 lt duty	
18	23367	2	Chain, safety	
19	60659	7	Screw, .500-13x5.000 std hx G5	
20	40529	1	Actuator, hyd surge brake	Adjustable
21	22340	4	Bushing, 1.00 OD X .75 ID	
22	23256	1	Pin, jack - 2000lb tube mtd	
23	13051	1	Jack assy, 2000# top wind	
24	24691B	1	Brace, tongue shipping	
25	30931B	1	Weldment, flip tongue	For adjustable actuator
26	11254	4	Plug, grease cap - for zerk	
27	11253	4	Cap, grease - axis 3500#, plug not included	
28	40956	4	Outer bearing	
29	12311	4	Brake drum - 10" 5 on 4.5"	
30	40765	4	10" Surge brake assy RH	
	40764	4	10" Surge brake assy LH	
	26443	4	10" Electric brake assy rht	Option: electric brake
	26442	4	10" Electric brake assy lft	Option: electric brake
31	40954	4	Inner bearing	
32	12307	4	Bearing seal DL350	
33	60674	20	Stud, wheel - .500-20 GR8	
34	11277	8	U-bolt 3500lb	
35	11280	4	Leaf spring 3500lb	
36	19421	2	Axle, 3500lb hydraulic	
	19422	2	Axle, 3500lb electric	
37	15540	4	Wheel, ST205/75r15, 1598lb - 6 PR	
38	60096	20	Nut, .500-20 wheel lug	
39	26441	16	U-bolt nut, .500 plated	
40	11278	4	Tie plate, 3500 lb	
41	19335B	1	Coupler, lunette ring - 3" ID	For adjustable actuator
42	60239	2	Screw, .625-11x5.000 std hx	
43	60180	4	Washer, flat .625	
44	60240	2	Nut, .625-11 hx Nylock	
45	30248	1	Cap, actuator - sealed	
A	24812B	1	Weldment, flip tongue	Option: non-adj actuator
B	19379B	1	Weldment, hitch elec 4 pos	Option: adjustable actuaor
C	24304	1	Actuator, hyd surge brake	Option: 2" ball
D	19417	1	Breakaway Kit	Option: breakaway kit
E	12235B	1	Weldment, spare tire holder	Option: spare tire holder
F	19519	1	Coupler, 2.31 ball	Option: adjustable actuator
G	19518	1	Coupler, 2.00 ball	Option: adjustable actuator
H	41795	1	Coupler, 2.31 bulldog	Option: adjustable actuator

BRAKE LINES - SINGLE AXLE



ITEM	PART	QTY	DESCRIPTION	NOTES
1	24688	1	Hose, brake-136" male/male	
2	40495	1	Line, brake- .188 x 20"	
3	40494	1	Line, brake- .188 x 30"	
4	19252	1	Fitting, strt-.188 brake line T-w/brckt	
5	61028	1	Clamp, muffler - 2.50	
6	61010	1	Clamp, tubing - .375	

BRAKE LINES - TANDEM AXLE



ITEM	PART	QTY	DESCRIPTION	NOTES
1	24688	1	Hose, brake - male/male	
2	40494	2	Line, brake - .188 x 30"	
3	40817	2	Hose, brake - .188 x 33" male/male	
4	19252	3	Fitting, strt-.188 brake line T-w/brckt	
5	40495	2	Line, brake - .188 x 20"	
6	61028	2	Clamp, muffler - 2.50	
7	61010	2	Clamp, tubing - .375	

REV: A
PART NO: 29723
01.31.13